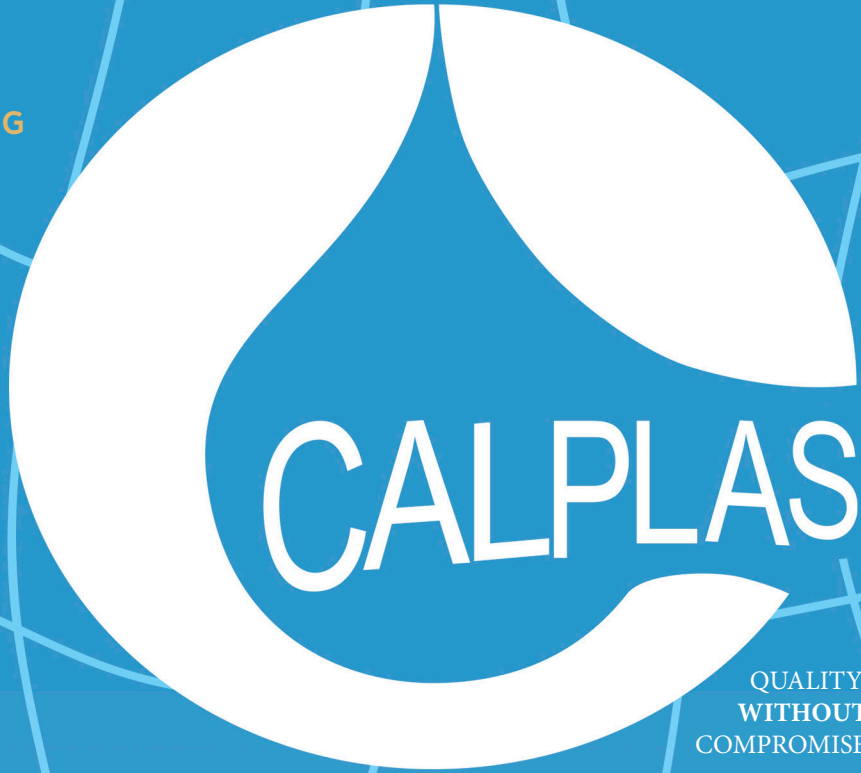




1970 - 2020

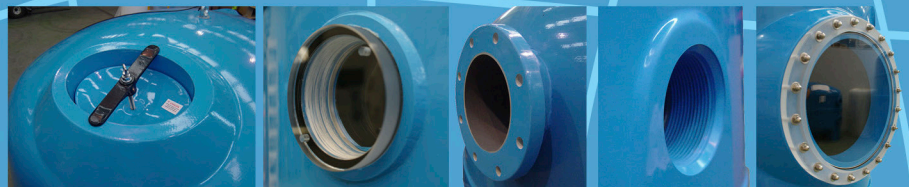
ENGINEERING  
IMPROVING  
DEVELOPING  
MANUFACTURING



QUALITY  
WITHOUT  
COMPROMISE

# PRICE LIST

SWIMMING POOLS 2020





## CALPLAS PRESSURE VESSELS

Calplas vessels have been used in industrial projects worldwide since 1970 and it is one of the most experienced filter manufacturer in the world. A continuous growth, stimulated by a very hard working, experienced team, and a mechanical engineer soul has allowed us to become a quality and reliability reference. During this period our manufacturing has demonstrated the complete reliability of our products. Our daily contact with water treatment companies and experienced pool distributors all over the world has also helped us to innovate and to gain an advantage over our competitors responding to new water treatment challenges. This experience has also allowed us to trial new materials in order to overcome specific project water treatment requirements.

### WHY CALPLAS?

The first question is which is the best material for a vessel?

Steel tanks :

PROS: Very reliable and strong vessels.

CONS: These suffer from corrosion and require continuous maintenance to replace the different linings used (epoxy painting, rubber coatings...).

Fiber Glass vessels:

PROS: No corrosion.

CONS: Most polyester vessels are built for the swimming pool industry, where both pressure requirements and reliability fall far short of what is required in any industrial project.

### Why choose between one or the other?

Calplas uses only the most reliable GRP Polyester technology in its manufacturing process. MANUALLY LAMINATED HAND LAY UP. This means that the fibers are oriented in the directions of the maximum tensions of the filter, strictly calculated. On top, this is combined with **encapsulated internal steel reinforcement** used at all points where the filter is under additional stress. This makes our filters the most reliable on the market.

***Calplas filters are as strong as steel with the corrosion resistance of the polyester reinforced with fiberglass***



No other manufacturer has more than 50 years experience in :

- Filtration systems
- Ion exchanger vessels
- Adequate internal lining adaptation

After 50 years of manufacturing direct collaboration with water treatment companies and pool distributors, **Calplas is proud to manufacture the best filters in the world**, with an outstanding reliability, durability and performance.



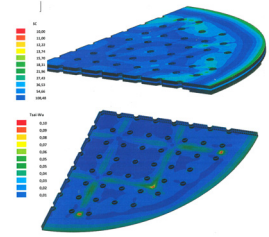
# CALPLAS 2020 TECHNICAL DATA



Manually laminated hand lay-up polyester resin fiberglass to controlled thickness.



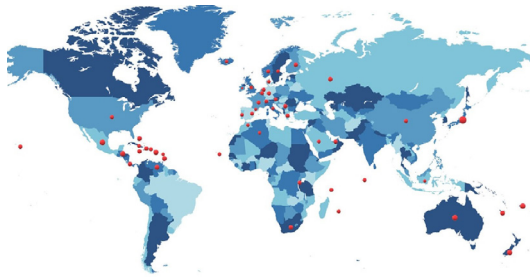
The strength of steel  
The chemical corrosion resistance of polyester.



Engineering soul.



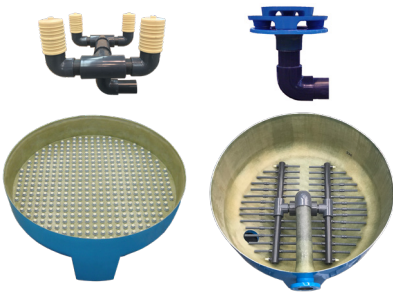
Expected lifespan: more than 30 years.



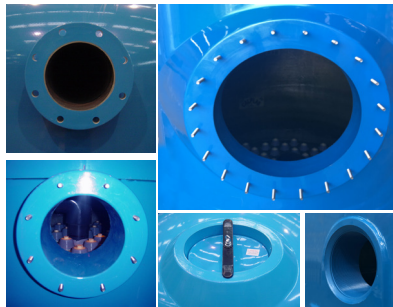
Sold worldwide with complete reliability since 1970.



Armoured nozzle plate.



Optimized distribution systems for flow distribution and each application



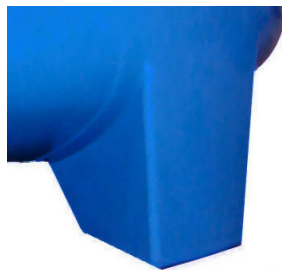
Complete safety:  
Connections are part of the structure.



100% full vision inside:  
Methacrylate sightglasses



Each and every filter is tested.



Closed legs are part of the filter structure.



On site assembling



Special colors on demand



UV resistant external gel coat.



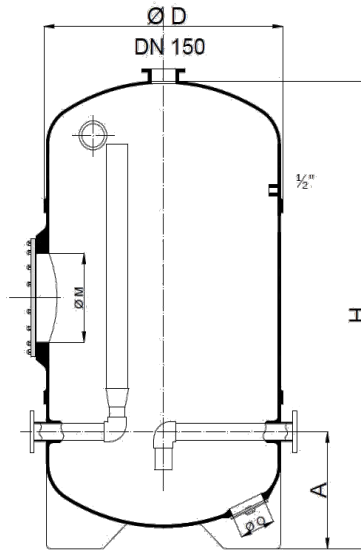
Wind & Seismic Calculation



Replace/Upgrade your filter  
PLUG & PLAY

## CO SERIES

Manufactured for more 20 years for the Swiss market, Ozone tanks by Calplas CO Series are opened to all markets in 2020.



Diameter range: 415 mm - 1840 mm

Volume range: 0.2 m<sup>3</sup> - 5 m<sup>3</sup>

Design pressure 2.5 bar

Test pressure 3.75 bar

Chemical resistance

1 ppm Ozone concentration

[Check them in page 18 & 19](#)

## 20% REDUCTION ON STANDARD PUMP STRAINERS

### STANDARD PUMP STRAINERS

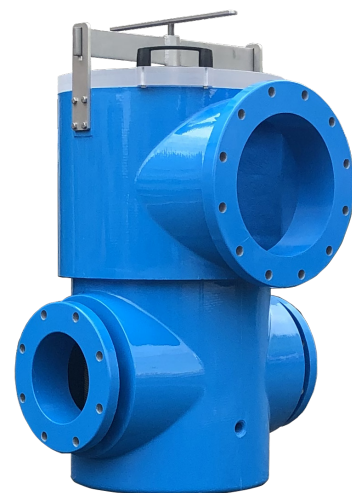


Our fantastic pump strainers are now available standard in certain connection sizes.

Always Pos 2.

[Check them in page 21](#)

### STANDARD PUMP COLLECTORS



We always had the possibility to manufacture pump strainers with more than 2 flanges. Now we have some standard models.

1 inlet 2 outlet / 2 inlet 1 outlet

[Check them in page 21](#)

## INDEX

FA SERIES Ø 520-960.....	6
HFS SERIES Ø 415-960.....	7
AFM SERIES Ø 520-960 .....	8
AFM/P SERIES Ø 520-960.....	9
DCH SERIES Ø 415-1260.....	10
DCH/P SERIES Ø 415-1260.....	11
DS SERIES Ø 1010-3000.....	12
DPS SERIES Ø 1010-3000.....	13
DPS/420 SERIES Ø 1010-3000.....	14
DPSL/420 SERIES Ø 1010-3000 .....	15
FB SERIES Ø 1010-3000 .....	16
HORIZONTAL FILTERS.....	17
CO SERIES Ø 415-960.....	18
CO SERIES Ø 1010-1840 .....	19
CUSTOMIZED PUMP STRAINERS.....	20
STANDARD PUMP STRAINERS.....	21
MARBLE FILTERS & DISSOLVERS .....	22
ADDITIONAL ELEMENTS .....	23
AFM®.....	24-25
BESGO VALVES.....	26
OTHER PRODUCTS.....	27
USEFUL INFORMATION.....	28-29-30
PACKAGING.....	31



## FA SERIES Ø 520-960

Ref	ID	Ø D	H	O	A	B	I/O	Filt. Surface	AFM® G3 / G2 / G1 (21 Kg) Sand(2-3/0.7-1.2/0.4-0.8)(25 Kg)	Price
102052	FA-10	520	800	190	310	190	2"	0,20 m <sup>2</sup>	0 / 1 / 4	848 €
102064	FA-15	640	830	190	310	190	2"	0,30 m <sup>2</sup>	0 / 2 / 6	987 €
102072	FA-20	720	930	190	360	190	2"	0,40 m <sup>2</sup>	0 / 3 / 9	1 164 €
102084	FA-30	840	950	190	360	190	2"	0,52 m <sup>2</sup>	2 / 2 / 12	1 390 €
102096	FA-35	960	1050	205	360	250	2 ½"	0,70 m <sup>2</sup>	4 / 4 / 16	1 930 €

## FA SERIES 350- 400 BED HEIGHT

Dimensions in mm.

Manufactured and calculated according to EN 13121-3.

Design pressure 2,5 Kg/cm<sup>2</sup> | Test pressure 3,75 Kg/cm<sup>2</sup>.

Transparent top lid.

Special diffuser for Sand / AFM®.

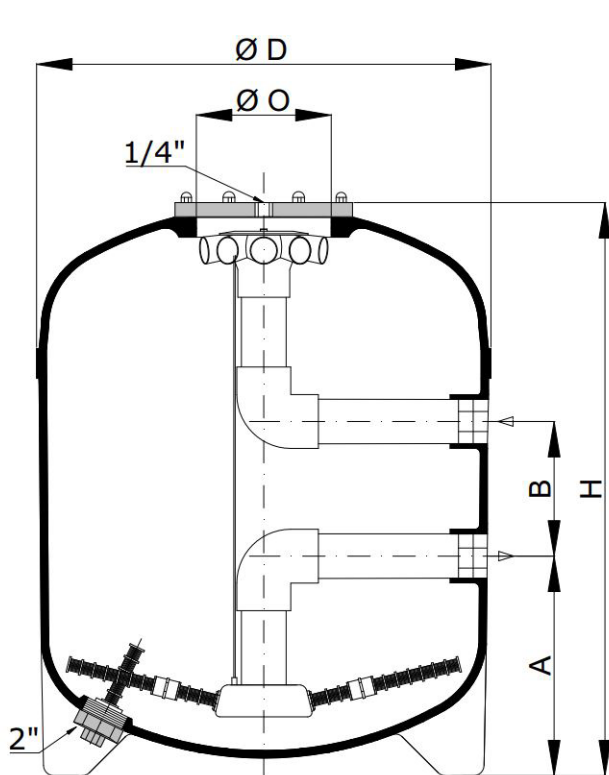
Female threads (GAS) in GRP are part of the body.

Large diameter internal piping designed for both Sand / AFM® requirements.

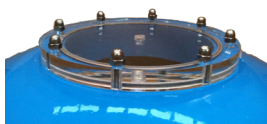
Laterals designed for proper filtration and backwash.

Design temperature 40°C.

## MANOMETER KIT INCLUDED

Threaded connections  
integrated in body

Transparent top lid



Top diffuser



Laterals



Drain plug





HFS SERIES Ø 415-960

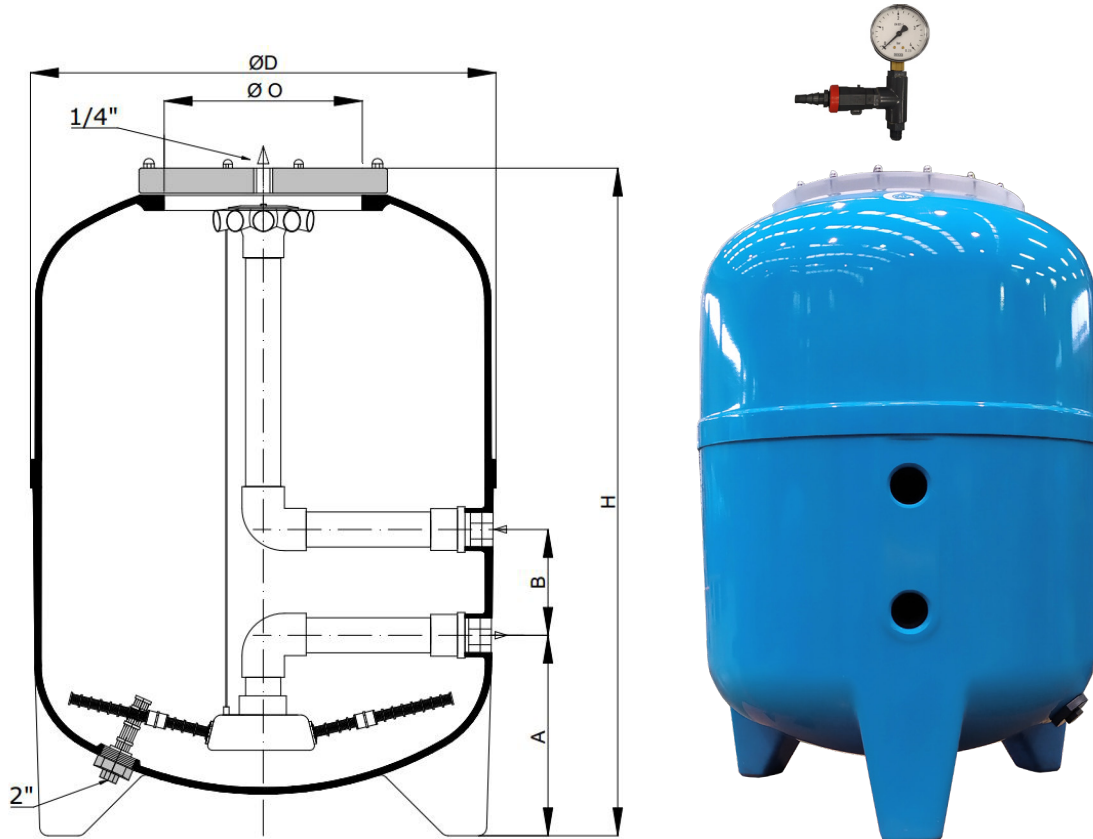
Ref	ID	Ø D	H	O	A	B	I/O	Filt. Surface	AFM® G3 / G2 / G1 (21 Kg) Sand(2-3/0.7-1.2/0.4-0.8)(25 Kg)	Price
112041	HFS-6	415	861	190	260	190	2"	0,13 m <sup>2</sup>	0 / 1 / 2	724 €
112046	HFS-8	460	861	190	260	190	2"	0,16 m <sup>2</sup>	0 / 1 / 3	795 €
112052	HFS-10	520	931	190	310	190	2"	0,20 m <sup>2</sup>	0 / 2 / 4	950 €
112064	HFS-15	640	1090	305*	310	190	2"	0,30 m <sup>2</sup>	0 / 4 / 8	1 330 €
112072	HFS-20	720	1140	305*	360	190	2"	0,40 m <sup>2</sup>	0 / 4 / 12	1 537 €
112084	HFS-30	840	1190	355*	360	190	2"	0,52 m <sup>2</sup>	4 / 4 / 16	1 798 €
112096	HFS-35	960	1240	355*	360	250	2 ½"	0,70 m <sup>2</sup>	5 / 5 / 24	2 390 €

HFS SERIES 500 - 600 BED HEIGHT

Dimensions in mm.

Manufactured and calculated according to EN 13121-3.  
 Design pressure 2,5 Kg/cm<sup>2</sup> | Test pressure 3,75 Kg/cm<sup>2</sup>.  
 Big transparent top lid.\*  
 Internal steel reinforced filter.  
 Special diffuser for Sand / AFM®.  
 Female threads (GAS) in GRP are part of the body.  
 Large diameter internal piping designed for both Sand / AFM® requirements.  
 Laterals designed for proper filtration and backwash.  
 Design temperature 40°C.

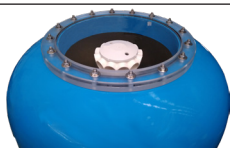
MANOMETER KIT INCLUDED



Threaded connections integrated in body



Big transparent top lid



Top diffuser



Laterals



Drain plug





AFM® SERIES Ø 520-960

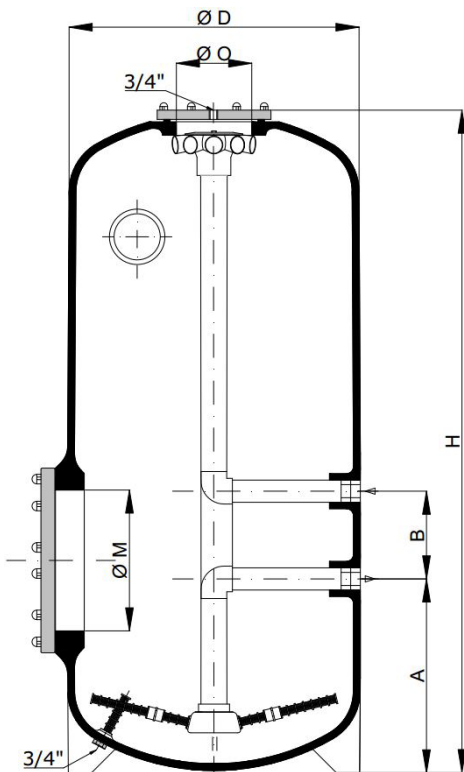
Ref	ID	Ø D	H	O	M	A	B	I/O	Filt. Surface	AFM® G3 / G2 / G1 (21 Kg) Sand(2-3/0.7-1.2/0.4-0.8)(25 Kg)	Price
112152.X	AFM-520	520	1400	190	215	405	190	2"	0,20 m <sup>2</sup>	0 / 3 / 8	1 641 €
112164.X	AFM-640	640	1440	190	305	420	190	2"	0,30 m <sup>2</sup>	0 / 5 / 12	1 906 €
112172.X	AFM-720	720	1440	190	305	420	190	2"	0,40 m <sup>2</sup>	0 / 6 / 16	2 186 €
112184.X	AFM-840	840	1460	190	305	440	190	2"	0,52 m <sup>2</sup>	3 / 4 / 24	2 398 €
112196.X	AFM-960	960	1520	205	355	405	250	2 ½"	0,70 m <sup>2</sup>	5 / 5 / 34	3 077 €

AFM® SERIES 900 - 1000 BED HEIGHT

ORIENTATION OPTIONS Dimensions in mm.

Manufactured and calculated according to EN 13121-3.  
 Design pressure 2,5 Kg/cm<sup>2</sup> | Test pressure 3,75 Kg/cm<sup>2</sup>.  
 Lateral access manhole.  
 Internal steel reinforced filter.  
 Sight glass.  
 Special diffuser for Sand / AFM®.  
 Female threads (GAS) in GRP are part of the body.  
 Large diameter internal piping designed for both Sand / AFM® requirements.  
 Laterals designed for proper filtration and backwash.  
 Design temperature 40°C.

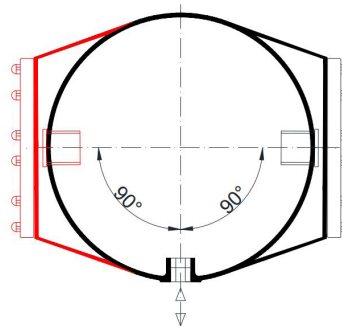
Pos 6 X=6 (Standard)  
 Pos 2 X=2



MANOMETER KIT INCLUDED



Optional  
 Manhole  
 &  
 Sightglass  
 Pos 2



Standard  
 Manhole  
 &  
 Sightglass  
 Pos 6



Threaded connections  
 integrated in body

Transparent top lid

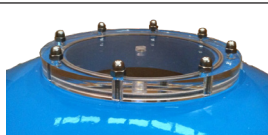
Access manhole

Top diffuser

Sight glass

Laterals

Drain plug







AFM®/P SERIES Ø 520-960

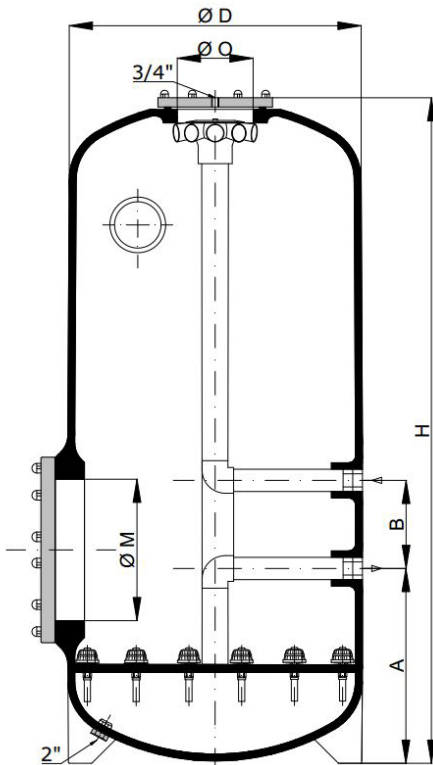
Ref	ID	Ø D	H	O	M	A	B	I/O	Filt. Surface	AFM® G3 / G2 / G1 (21 Kg) Sand(2-3/0.7-1.2/0.4-0.8)(25 Kg)	Price
112352.X	AFM/P-520	520	1400	190	215	405	190	2"	0,20 m <sup>2</sup>	0 / 2 / 7	2 290 €
112364.X	AFM/P-640	640	1440	190	305	420	190	2"	0,30 m <sup>2</sup>	0 / 5 / 10	2 790 €
112372.X	AFM/P-720	720	1440	190	305	420	190	2"	0,40 m <sup>2</sup>	0 / 5 / 13	3 190 €
112384.X	AFM/P-840	840	1460	190	305	440	190	2"	0,52 m <sup>2</sup>	0 / 7 / 18	3 790 €
112396.X	AFM/P-960	960	1520	205	355	405	250	2 ½"	0,70 m <sup>2</sup>	0 / 10 / 25	4 690 €

AFM®/P SERIES 850 - 900 BED HEIGHT

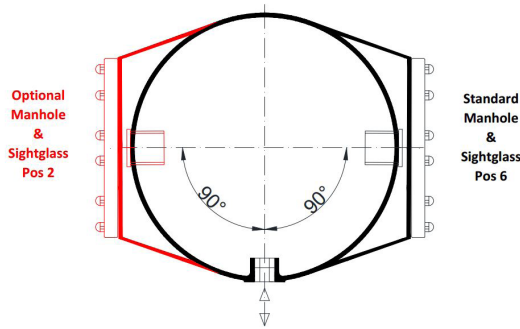
ORIENTATION OPTIONS Dimensions in mm.

Manufactured and calculated according to EN 13121-3.  
 Design pressure 2,5 Kg/cm<sup>2</sup> | Test pressure 3,75 Kg/cm<sup>2</sup>.  
 Lateral access manhole.  
 Nozzle plate steel reinforced filter.  
 Complete nozzle plate reliability.  
 Internal steel reinforced filter.  
 Special diffuser for Sand / AFM®.  
 Female threads (GAS) in GRP are part of the body.  
 Large diameter internal piping designed for both Sand / AFM® requirements.  
 Sight glass.  
 Design temperature 40°C.

Pos 6 X=6 (Standard)  
 Pos 2 X=2



MANOMETER KIT INCLUDED



Threaded connections integrated in body

Transparent top lid

Access manhole

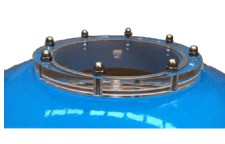
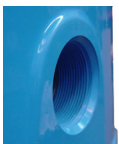
Top diffuser

Sight glass

Nozzle plate

Nozzle detail

Drain plug





# STANDARD AFM® / SAND FILTERS

## DCH SERIES Ø 415-1260

PRICE LIST 2020

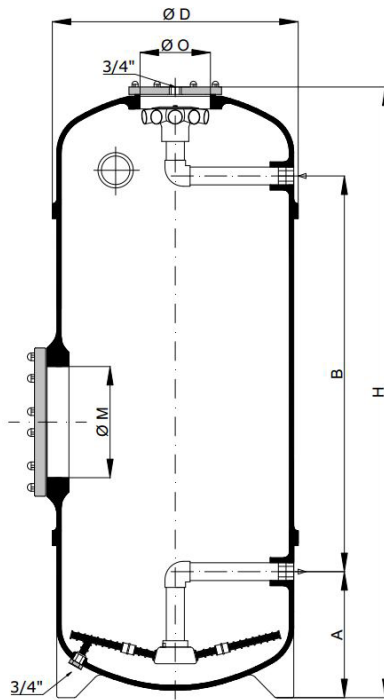
Ref	ID	Ø D	H	O	M	A	B	I/O	Filt. Surface	AFM® G3 / G2 / G1 (21 Kg) Sand(2-3/0.7-1.2/0.4-0.8)(25 Kg)	Price
212341	DCH-415	415	1801	190	305	260	1311	2"	0,13 m <sup>2</sup>	0 / 3 / 6	1 771 €
212346	DCH-460	460	1812	190	305	260	1322	2"	0,16 m <sup>2</sup>	0 / 3 / 8	1 882 €
212352	DCH-520	520	1832	190	305	300	1287	2"	0,20 m <sup>2</sup>	0 / 4 / 10	2 443 €
212364	DCH-640	640	1886	190	355	338	1279	2"	0,30 m <sup>2</sup>	0 / 7 / 16	2 875 €
212372	DCH-720	720	1985	190	355	405	1275	2"	0,40 m <sup>2</sup>	0 / 9 / 20	3 103 €
212384	DCH-840	840	2070	190	355	430	1300	2 ½"	0,52 m <sup>2</sup>	5 / 5 / 30	3 394 €
212396	DCH-960	960	2138	205	420	445	1373	2 ½"	0,70 m <sup>2</sup>	6 / 7 / 40	4 191 €
212310	DCH-1010	1010	2000	305	420	425	960	DN80	0,78 m <sup>2</sup>	6 / 6 / 48	5 669 €
212312	DCH-1260	1260	2070	305	420	505	935	DN100	1,21 m <sup>2</sup>	10 / 10 / 70	7 327 €

### DCH SERIES 1200 BED HEIGHT

Manufactured and calculated according to EN 13121-3.  
 Design pressure 2,5 Kg/cm<sup>2</sup> | Test pressure 3,75 Kg/cm<sup>2</sup>.  
 Lateral access manhole.  
 Internal steel reinforced filter.  
 Sight glass.  
 Special diffuser for Sand / AFM®.  
 Female threads (GAS) in GRP are part of the body.  
 Large diameter internal piping designed for both Sand / AFM® requirements.  
 Laterals designed for proper filtration and backwash.  
 DCH 1010 & DCH 1260 Flanged connections.  
 Design temperature 40°C.

### ADDITIONAL OPTIONS Dimensions in mm.

Additional sight glass [See page 23](#)  
 High temperature.  
 Available for higher pressure up to 7 kg/cm<sup>2</sup>.  
 Customizable height.  
 Long vertical sight glass [See page 23](#)  
 Flanges available [Add price of flanges in page 23](#)



Threaded connections  
integrated in body

Transparent top lid

Access manhole

Top diffuser

Sight glass

Laterals

Drain plug





DCH/P SERIES Ø 415-1260

Ref	ID	Ø D	H	O	M	A	B	I/O	Filt. Surface	AFM® G3 / G2 / G1 (21 Kg) Sand(2-3/0.7-1.2/0.4-0.8)(25 Kg)	Price
212441	DCH/P-415	415	1801	190	305	260	1311	2"	0,13 m <sup>2</sup>	0 / 2 / 6	2 216 €
212446	DCH/P-460	460	1812	190	305	260	1322	2"	0,16 m <sup>2</sup>	0 / 3 / 8	2 363 €
212452	DCH/P-520	520	1832	190	305	300	1287	2"	0,20 m <sup>2</sup>	0 / 3 / 10	2 714 €
212464	DCH/P-640	640	1886	190	355	338	1279	2"	0,30 m <sup>2</sup>	0 / 6 / 15	3 380 €
212472	DCH/P-720	720	1985	190	355	405	1275	2"	0,40 m <sup>2</sup>	0 / 8 / 19	3 835 €
212484	DCH/P-840	840	2070	190	355	430	1300	2 ½"	0,52 m <sup>2</sup>	0 / 10 / 26	4 350 €
212496	DCH/P-960	960	2138	205	420	445	1373	2 ½"	0,70 m <sup>2</sup>	0 / 14 / 33	5 492 €
212410	DCH/P-1010	1010	2000	305	420	425	960	DN80	0,78 m <sup>2</sup>	0 / 16 / 36	7 184 €
212412	DCH/P-1260	1260	2070	305	420	505	990	DN100	1,21 m <sup>2</sup>	0 / 26 / 56	9 546 €

DCH/P SERIES 1200 BED HEIGHT

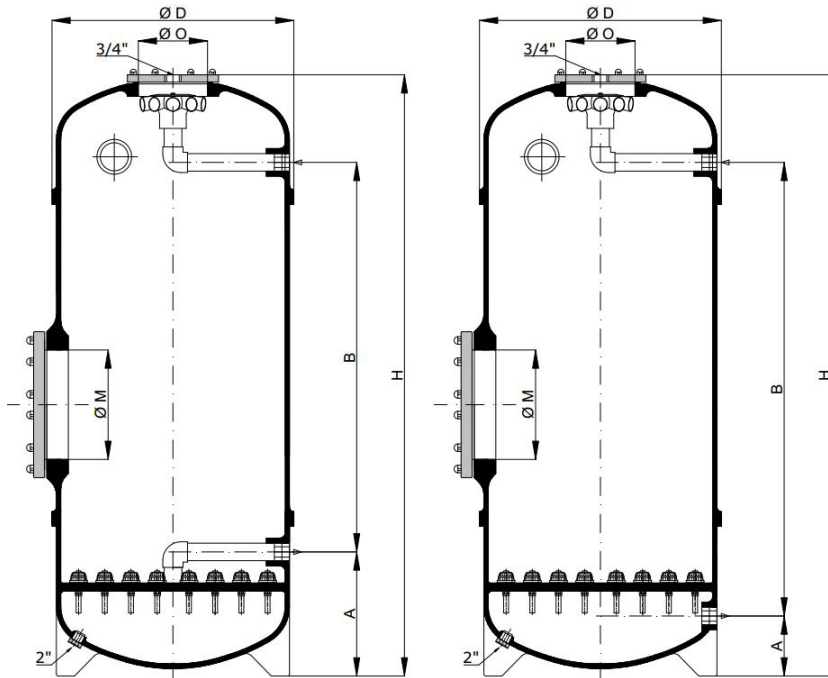
Manufactured and calculated according to EN 13121-3.  
 Design pressure 2,5 Kg/cm<sup>2</sup> | Test pressure 3,75 Kg/cm<sup>2</sup>.  
 Lateral access manhole.  
 Nozzle plate steel reinforced filter.  
 Complete nozzle plate reliability.  
 Internal steel reinforced filter.  
 Special diffuser for Sand / AFM®.  
 Female threads (GAS) in GRP are part of the body.  
 Large diameter internal piping designed for both Sand / AFM® requirements.  
 Sight glass.  
 DCH/P 1010 & DCH/P 1260 Flanged connections.  
 Design temperature 40°C.

ADDITIONAL OPTIONS Dimensions in mm.

Additional sight glass [See page 23](#)  
 High temperature.  
 Available for higher pressure up to 7kg/cm<sup>2</sup>.  
 Customizable height.  
 Long vertical sight glass [See page 23](#)  
 A2 & B2 connections available. Ask for measures.  
 Flanges available [Add price of flanges in page 23](#)

TYPE 1

TYPE 2



Threaded connections integrated in body

Transparent top lid

Access manhole

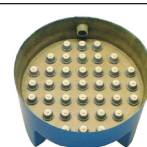
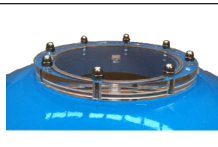
Top diffuser

Sight glass

Nozzle plate

Nozzle detail

Drain plug





## DS SERIES Ø 1010-3000

Ref	ID	Ø D	H	O	A	B	I/O	Filt. Surface	AFM® G3 / G2 / G1 (21 Kg) Sand(2-3/0.7-1.2/0.4-0.8)(25 Kg)	Price
222210	DS-1010	1010	2160	165	500	1260	DN80	0,78 m <sup>2</sup>	6 / 6 / 48	5 186 €
222211	DS-1160	1160	2265	165	550	1265	DN100	1,01 m <sup>2</sup>	8 / 8 / 60	5 923 €
222212	DS-1260	1260	2305	165	530	1375	DN100	1,21 m <sup>2</sup>	10 / 10 / 70	6 336 €
222214	DS-1440	1440	2380	165	600	1335	DN100	1,55 m <sup>2</sup>	14 / 14 / 90	7 736 €
222216	DS-1640	1640	2500	165	630	1370	DN125	2,04 m <sup>2</sup>	20 / 20 / 120	9 990 €
222218	DS-1840	1840	2560	165	690	1300	DN125	2,52 m <sup>2</sup>	30 / 24 / 140	11 970 €
222220	DS-2040	2040	2660	165	725	1340	DN150	3,17 m <sup>2</sup>	40 / 30 / 180	14 614 €
222222	DS-2210	2210	2770	165	760	1385	DN150	3,77 m <sup>2</sup>	60 / 30 / 220	16 673 €
222223	DS-2340	2340	2770	165	765	1370	DN200	4,06 m <sup>2</sup>	60 / 30 / 240	18 064 €
222225	DS-2550	2550	2850	165	760	1480	DN250	4,91 m <sup>2</sup>	80 / 40 / 280	21 397 €
222228	DS-2800	2800	3030	190	850	1500	DN250	5,97 m <sup>2</sup>	120 / 60 / 340	24 069 €
222230	DS-3000	3000	3070	190	<i>Check</i>		DN250	6,90 m <sup>2</sup>	140 / 40 / 400	28 150 €

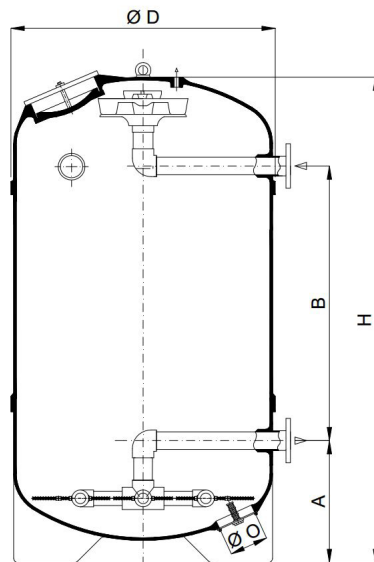
### DS SERIES 1200 BED HEIGHT

Manufactured and calculated according to EN 13121-3.  
 Design pressure 2,5 Kg/cm<sup>2</sup> | Test pressure 3,75 Kg/cm<sup>2</sup>.  
 Internal steel reinforced filter.  
 GRP Flanged connections.  
 GRP Calplas diffuser.  
 Elliptical top manhole.  
 Sight glass 4" to 6".  
 Lifting lug.  
 GRP reinforced internal piping.  
 Bottom emptying hole.  
 Design temperature 40°C.

### ADDITIONAL OPTIONS

Dimensions in mm.

Additional sight glass [See page 23](#)  
 High temperature.  
 Available for higher pressure up to 6 kg/cm<sup>2</sup>.  
 Customizable height.  
 Other flange sizes available [See page 23](#)  
 Different connections.  
 Ad-hoc holes and sight glasses orientation.



Flange integrated in body

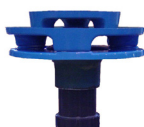
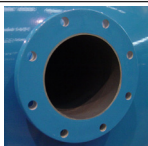
Top diffuser

Top manhole

Laterals

Sight glass

Emptyng hole





## DPS SERIES Ø 1010-3000

Ref	ID	Ø D	H	O	M	A	B	I/O	Filt. Surface	AFM® G3 / G2 / G1 (21 Kg) Sand(2-3/0.7-1.2/0.4-0.8)(25 Kg)	Price
222410	DPS-1010	1010	2160	165	160	560	1200	DN80	0,78 m <sup>2</sup>	0 / 16 / 36	7 697 €
222411	DPS-1160	1160	2265	165	160	610	1205	DN100	1,01 m <sup>2</sup>	0 / 20 / 50	9 028 €
222412	DPS-1260	1260	2305	165	160	620	1285	DN100	1,21 m <sup>2</sup>	0 / 26 / 56	9 919 €
222414	DPS-1440	1440	2380	165	200	670	1265	DN100	1,55 m <sup>2</sup>	0 / 30 / 80	11 765 €
222416	DPS-1640	1640	2500	165	200	760	1240	DN125	2,04 m <sup>2</sup>	0 / 40 / 100	14 972 €
222418	DPS-1840	1840	2560	165	200	790	1200	DN125	2,52 m <sup>2</sup>	0 / 60 / 120	17 704 €
222420	DPS-2040	2040	2660	165	200	820	1245	DN150	3,17 m <sup>2</sup>	0 / 60 / 160	21 544 €
222422	DPS-2210	2210	2770	165	200	850	1295	DN150	3,77 m <sup>2</sup>	0 / 80 / 180	24 636 €
222423	DPS-2340	2340	2770	165	200	900	1235	DN200	4,06 m <sup>2</sup>	0 / 80 / 200	26 285 €
222425	DPS-2550	2550	2850	165	200	925	1315	DN250	4,91 m <sup>2</sup>	0 / 100 / 240	30 923 €
222428	DPS-2800	2800	3030	190	200	970	1380	DN250	5,97 m <sup>2</sup>	0 / 120 / 280	35 047 €
222430	DPS-3000	3000	3070	190	200		Check	DN250	6,90 m <sup>2</sup>	0 / 120 / 340	38 869 €

### DPS SERIES 1200 BED HEIGHT

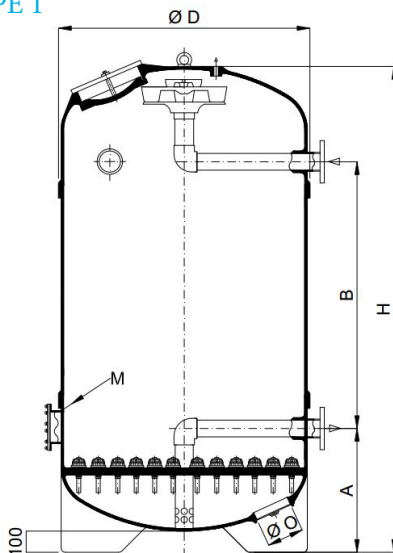
### ADDITIONAL OPTIONS

Dimensions in mm.

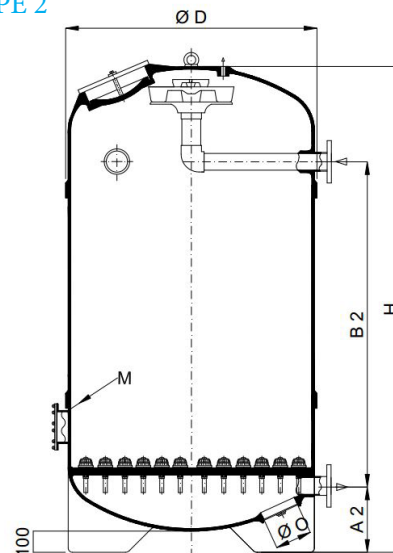
Manufactured and calculated according to EN 13121-3.  
 Design pressure 2,5 Kg/cm<sup>2</sup> | Test pressure 3,75 Kg/cm<sup>2</sup>.  
 Steel reinforced nozzle plate.  
 GRP Flanged connections.  
 Access hand hole above the nozzle plate.  
 GRP Calplas diffuser.  
 Elliptical top manhole.  
 Sight glass 4" to 6".  
 Lifting lug.  
 GRP reinforced internal piping.  
 Bottom emptying hole.  
 Design temperature 40°C.

Additional sight glass [See page 23](#)  
 High temperature.  
 Available for higher pressure up to 6 kg/cm<sup>2</sup>.  
 Customizable height.  
 Other flange sizes available [See page 23](#)  
 Different connections.  
 Ad-hoc holes and sight glasses orientation.  
 A2 & B2 connections available. Ask for measures.

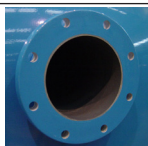
TYPE 1



TYPE 2



Flange integrated in body



Top diffuser



Hand hole



Top manhole



Nozzle plate



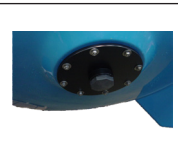
Nozzle detail



Sight glass



Emptying hole





# STANDARD AFM® / SAND FILTERS

## DPS/420 SERIES Ø 1010-3000

PRICE LIST 2020

Ref	ID	Ø D	H	O	M	A	B	I/O	Filt. Surface	AFM® G3 / G2 / G1 (21 Kg) Sand(2-3/0.7-1.2/0.4-0.8)(25 Kg)	Price
222510	DPS/420-1010	1010	2160	165	420	560	1200	DN80	0,78 m <sup>2</sup>	0 / 16 / 36	8 210 €
222511	DPS/420-1160	1160	2265	165	420	610	1205	DN100	1,01 m <sup>2</sup>	0 / 20 / 50	9 495 €
222512	DPS/420-1260	1260	2305	165	420	620	1285	DN100	1,21 m <sup>2</sup>	0 / 26 / 56	10 417 €
222514	DPS/420-1440	1440	2380	165	420	670	1265	DN100	1,55 m <sup>2</sup>	0 / 30 / 80	12 382 €
222516	DPS/420-1640	1640	2500	165	420	760	1240	DN125	2,04 m <sup>2</sup>	0 / 40 / 100	15 573 €
222518	DPS/420-1840	1840	2560	165	420	790	1200	DN125	2,52 m <sup>2</sup>	0 / 60 / 120	18 296 €
222520	DPS/420-2040	2040	2660	165	420	820	1245	DN150	3,17 m <sup>2</sup>	0 / 60 / 160	22 281 €
222522	DPS/420-2210	2210	2840	165	420	850	1365	DN150	3,77 m <sup>2</sup>	0 / 80 / 180	25 543 €
222523	DPS/420-2340	2340	2850	165	420	900	1315	DN200	4,06 m <sup>2</sup>	0 / 80 / 200	27 246 €
222525	DPS/420-2550	2550	2920	165	420	925	1385	DN250	4,91 m <sup>2</sup>	0 / 100 / 240	31 561 €
222528	DPS/420-2800	2800	3040	190	420	970	1380	DN250	5,97 m <sup>2</sup>	0 / 120 / 280	35 644 €
222530	DPS/420-3000	3000	3070	190	420	Check		DN250	6,90 m <sup>2</sup>	0 / 120 / 340	39 575 €

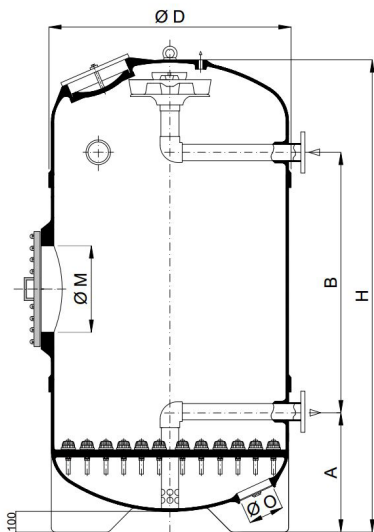
### DPS/420 SERIES 1200 BED HEIGHT

Manufactured and calculated according to EN 13121-3.  
 Design pressure 2,5 Kg/cm<sup>2</sup> | Test pressure 3,75 Kg/cm<sup>2</sup>.  
 Steel reinforced lateral Ø420 manhole.  
 Steel reinforced nozzle plate.  
 GRP Flanged connections.  
 GRP Calplas diffuser.  
 Elliptical top manhole.  
 Lifting lug.  
 Sight glass 4" to 6".  
 GRP reinforced internal piping.  
 Bottom emptying hole.  
 Design temperature 40°C.

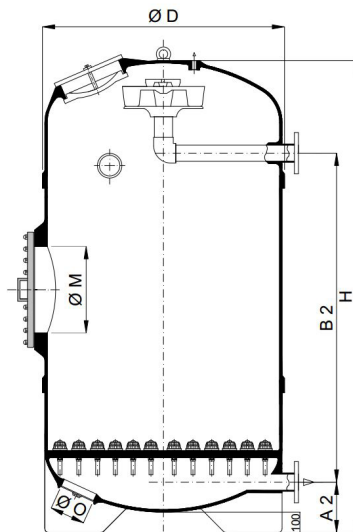
### ADDITIONAL OPTIONS Dimensions in mm.

Additional sight glass [See page 23](#)  
 High temperature.  
 Available for higher pressure up to 6 kg/cm<sup>2</sup>.  
 Customizable height.  
 Other flange sizes available [See page 23](#)  
 Different connections.  
 Ad-hoc holes and sight glasses orientation.  
 Optional Ø500 manhole.  
 A2 & B2 connections available. Ask for measures.

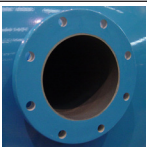
TYPE 1



TYPE 2



Flange integrated in body



Top diffuser



Access manhole



Top manhole



Nozzle plate



Nozzle detail



Sight glass



Emptying hole





DPSL/420 SERIES Ø 1010-3000

Ref	ID	Ø D	H	O	M	A	B	I/O	Filt. Surface	AFM® G3 / G2 / G1 (21 Kg) Sand(2-3/0.7-1.2/0.4-0.8)(25 Kg)	Price
222710	DPSL/420-1010	1010	2460	165	420	560	1500	DN80	0,78 m <sup>2</sup>	0 / 18 / 44	8 539 €
222711	DPSL/420-1160	1160	2565	165	420	610	1505	DN100	1,01 m <sup>2</sup>	0 / 24 / 60	9 874 €
222712	DPSL/420-1260	1260	2605	165	420	620	1585	DN100	1,21 m <sup>2</sup>	0 / 28 / 70	10 833 €
222714	DPSL/420-1440	1440	2680	165	420	670	1565	DN100	1,55 m <sup>2</sup>	0 / 40 / 90	12 877 €
222716	DPSL/420-1640	1640	2800	165	420	760	1540	DN125	2,04 m <sup>2</sup>	0 / 50 / 120	16 196 €
222718	DPSL/420-1840	1840	2860	165	420	790	1500	DN125	2,52 m <sup>2</sup>	0 / 60 / 150	19 028 €
222720	DPSL/420-2040	2040	2960	165	420	820	1545	DN150	3,17 m <sup>2</sup>	0 / 90 / 180	23 173 €
222722	DPSL/420-2210	2210	3140	165	420	850	1665	DN150	3,77 m <sup>2</sup>	0 / 100 / 220	26 565 €
222723	DPSL/420-2340	2340	3150	165	420	900	1615	DN200	4,06 m <sup>2</sup>	0 / 100 / 240	28 336 €
222725	DPSL/420-2550	2550	3220	165	420	925	1685	DN250	4,91 m <sup>2</sup>	0 / 120 / 290	32 823 €
222728	DPSL/420-2800	2800	3340	190	420	970	1680	DN250	5,97 m <sup>2</sup>	0 / 160 / 340	37 070 €
222730	DPSL/420-3000	3000	3300	190	420	Check		DN250	6,90 m <sup>2</sup>	0 / 180 / 400	41 158 €

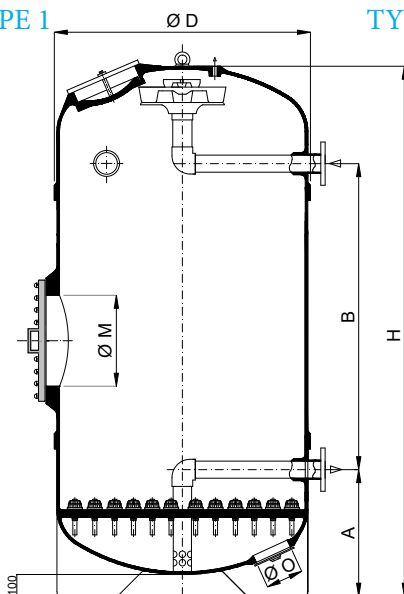
DPSL/420 SERIES 1500 BED HEIGHT

Manufactured and calculated according to EN 13121-3.  
 Design pressure 2,5 Kg/cm<sup>2</sup> | Test pressure 3,75 Kg/cm<sup>2</sup>.  
 Steel reinforced lateral Ø420 lateral manhole.  
 Steel reinforced nozzle plate.  
 GRP Flanged connections.  
 GRP Calplas diffuser.  
 Elliptical top manhole.  
 Lifting lug.  
 Sight glass 4" to 6".  
 GRP reinforced internal piping.  
 Bottom emptying hole.  
 Design temperature 40°C.

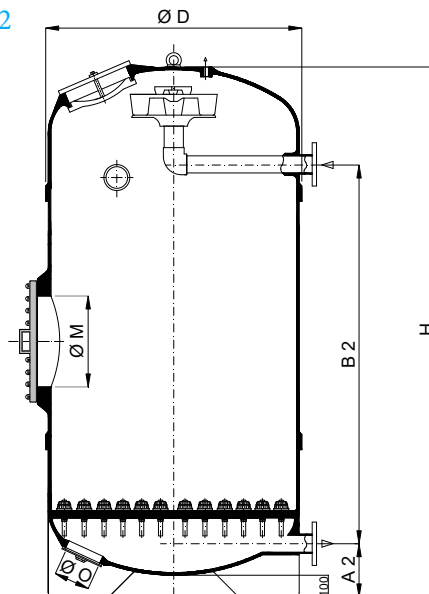
ADDITIONAL OPTIONS Dimensions in mm.

Additional sight glass [See page 23](#)  
 High temperature.  
 Available for higher pressure up to 6 kg/cm<sup>2</sup>.  
 Customizable height.  
 Other flange sizes available [See page 23](#)  
 Different connections.  
 Ad-hoc holes and Sight glasses orientation.  
 Optional Ø500 manhole.  
 A2 & B2 connections available. Ask for measures.

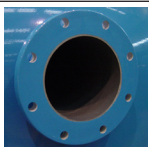
TYPE 1



TYPE 2



Flange integrated in body



Top diffuser



Access manhole



Top manhole



Nozzle plate



Nozzle detail



Sight glass



Emptying hole





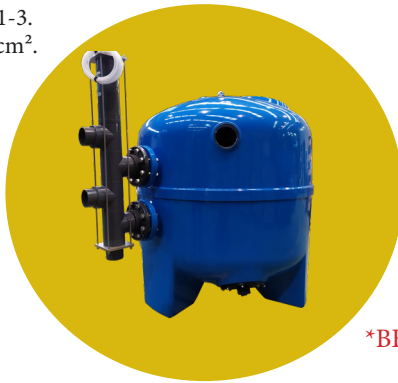
FB SERIES Ø 1010-3000

Ref	ID	Ø D	H	O	A	B	Connections	Filt. Surface	AFM® G3 / G2 / G1 (21 Kg) Sand(2-3/0.7-1.2/0.4-0.8)(25 Kg)	Price
232010	FB-40	1010	1200	165	500	300 *	DN80	0,78 m <sup>2</sup>	6 / 4 / 20	3 805 €
232011	FB-50	1160	1300	165	550	300 *	DN80	1,01 m <sup>2</sup>	8 / 6 / 28	4 188 €
232012	FB-60	1260	1350	165	550	400 *	DN100	1,21 m <sup>2</sup>	10 / 6 / 40	4 756 €
232014	FB-80	1440	1470	165	625	400 *	DN100	1,55 m <sup>2</sup>	14 / 14 / 50	5 561 €
232016	FB-100	1640	1670	165	720	450 *	DN125	2,04 m <sup>2</sup>	20 / 20 / 80	7 329 €
232018	FB-125	1840	1760	165	740	450 *	DN125	2,52 m <sup>2</sup>	30 / 20 / 100	9 009 €
232020	FB-150	2040	1870	165	725	550	DN150	3,17 m <sup>2</sup>	40 / 30 / 140	11 081 €
232022	FB-175	2210	1990	165	760	605	DN150	3,77 m <sup>2</sup>	60 / 30 / 180	12 696 €
232023	FB-200	2340	2000	165	765	600	DN200	4,06 m <sup>2</sup>	60 / 30 / 200	13 805 €
232025	FB-250	2550	2070	165	760	700	DN250	4,91 m <sup>2</sup>	80 / 40 / 240	15 904 €
232028	FB-300	2800	2200	190	850	650	DN250	5,97 m <sup>2</sup>	120 / 60 / 280	18 091 €
232030	FB-350	3000	2090	190	Check		DN250	6,90 m <sup>2</sup>	140 / 40 / 300	20 885 €

Dimensions in mm.

FB SERIES

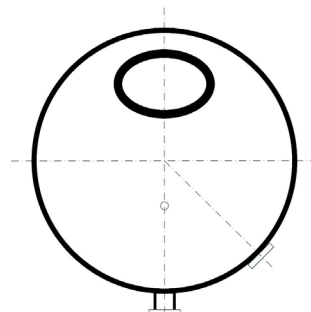
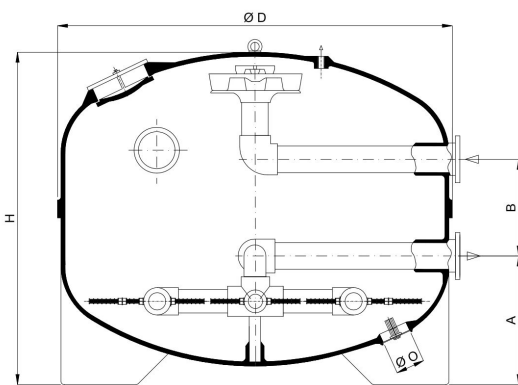
Manufactured and calculated according to EN 13121-3.  
 Design pressure 2,5 Kg/cm<sup>2</sup> | Test pressure 3,75 Kg/cm<sup>2</sup>.  
 Sight glass included.  
 Internal steel reinforced filter.  
 GRP Flanged connections.  
 GRP Calplas diffuser.  
 Elliptical top manhole.  
 Lifting lug.  
 GRP reinforced internal piping.  
 Bottom emptying hole.  
 Design temperature 40°C.



ADDITIONAL OPTIONS

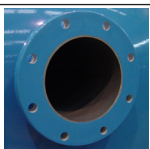
Additional sight glass [See page 23](#)  
 High temperature.  
 Available for higher pressure up to 6 kg/cm<sup>2</sup>.  
 Other flange sizes available [See page 23](#)  
 Ad-hoc holes and sight glasses orientation.

\*BESGO READY FILTERS B marked in red



ALWAYS WITH SIGHT GLASS!  
 STANDARD POSITION 7

Flange integrated in body



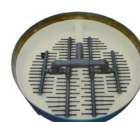
Top diffuser



Top manhole



Arm collectors



Sight glass



Emptying hole







# STANDARD AFM® / SAND FILTERS

## HORIZONTAL FILTERS

PRICE LIST 2020

Ø	Total Length	Ref	Filtering Surface	AFM® G3 / G2 / G1 (21 Kg) Sand(2-3/0.7-1.2/0.4-0.8)(25 Kg)	Price
1840	3100	322118	5,22 m <sup>2</sup>	52/28/172	17 070 €
	3900	322218	6,50 m <sup>2</sup>	60/32/240	21 173 €
	4700	322318	8,11 m <sup>2</sup>	72/36/288	25 856 €
	5500	322418	9,55 m <sup>2</sup>	84/44/344	28 357 €
	6300	322518	11,11 m <sup>2</sup>	100/48/400	33 633 €
2040	3360	322120	6,50 m <sup>2</sup>	52/28/320	21 036 €
	4160	322220	8,00 m <sup>2</sup>	68/36/360	25 149 €
	4960	322320	9,50 m <sup>2</sup>	80/40/436	30 042 €
	5660	322420	11,00 m <sup>2</sup>	92/48/500	34 188 €
	6460	322520	12,70 m <sup>2</sup>	108/56/580	38 216 €
2210	3400	322122	7,08 m <sup>2</sup>	60/28/348	23 880 €
	4170	322222	8,80 m <sup>2</sup>	72/36/436	27 659 €
	5000	322322	10,70 m <sup>2</sup>	92/44/520	32 770 €
	5720	322422	12,40 m <sup>2</sup>	104/52/604	36 966 €
	6500	322522	14,20 m <sup>2</sup>	120/60/688	41 153 €
2340	3520	322123	7,40 m <sup>2</sup>	68/32/380	26 147 €
	4300	322223	9,30 m <sup>2</sup>	84/40/480	29 499 €
	5100	322323	11,20 m <sup>2</sup>	100/48/580	34 707 €
	5800	322423	13,00 m <sup>2</sup>	116/56/660	38 852 €
	6600	322523	15,00 m <sup>2</sup>	132/64/760	43 095 €
2550	3450	322125	8,00 m <sup>2</sup>	104/44/392	28 316 €
	4350	322225	10,00 m <sup>2</sup>	140/60/520	32 811 €
	5150	322325	12,30 m <sup>2</sup>	168/72/620	38 161 €
	6000	322425	14,40 m <sup>2</sup>	200/84/732	42 622 €
	6850	322525	16,50 m <sup>2</sup>	228/96/844	47 046 €
2800	3680	322128	9,30 m <sup>2</sup>	120/60/532	31 008 €
	4500	322228	11,60 m <sup>2</sup>	152/76/680	38 951 €
	5360	322328	14,00 m <sup>2</sup>	180/92/816	44 396 €
	6230	322428	16,40 m <sup>2</sup>	216/112/960	49 493 €
	7040	322528	18,50 m <sup>2</sup>	248/128/1104	54 943 €

3000

Values to be checked at order time

### HORIZONTAL SERIES

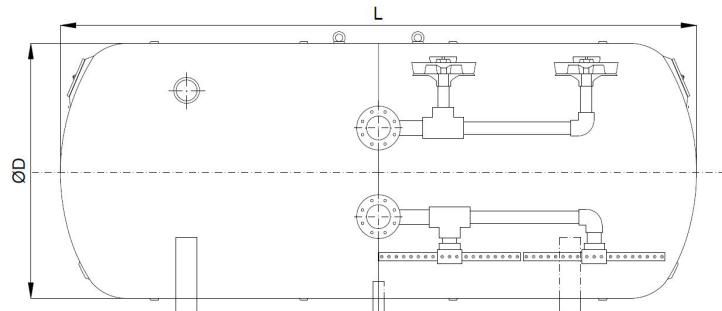
Manufactured and calculated according to EN 13121-3.  
 Design pressure 2,5 Kg/cm<sup>2</sup> | Test pressure 3,75 Kg/cm<sup>2</sup>.  
 Internal steel reinforced filter.  
 Flanged connections for INLET/OUTLET.  
 All connections are part of the structure of the filter in GRP.  
 Supports for the filter included (2 or 3 according to model).  
 2 x elliptical top manhole.  
 Sightglass included.  
 Laterals distribution.  
 Design temperature 40°C.

### ADDITIONAL OPTIONS

Customizable length if necessary.  
 Air backwash distribution. (Ask us) ----->  
 Higher temperatures.  
 Additional sight glass. [See page 23](#)  
 Additional flanges. [See page 38](#)  
 Flange connections in the dome (Ask us) ---->



Dimensions in mm.



Flange integrated in body

Detail of filter settlement

Top diffusers

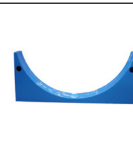
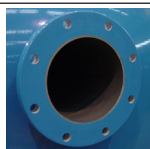
Laterals

2 x Top manhole

GRP Supports

Sight glass

Emptying hole





# OZONE CONTACTORS

## CO SERIES Ø 415-960

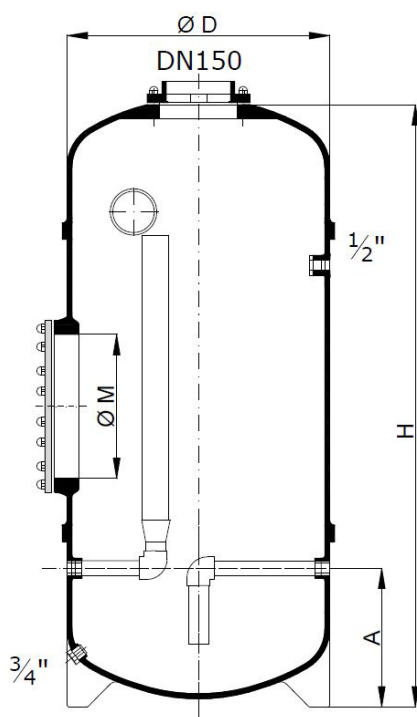
PRICE LIST 2020

Ref	ID	Ø D	H	M	A	Connections	Volume	Price
212541	CO-415	415	1850	305	260	1½"	0.22 m <sup>3</sup>	1 716 €
212546	CO-460	460	1850	305	260	1½"	0.28 m <sup>3</sup>	1 863 €
212552	CO-520	520	1905	305	300	1½"	0.36 m <sup>3</sup>	2 197 €
212564	CO-640	640	1970	355	340	1½"	0.57 m <sup>3</sup>	2 598 €
212572	CO-720	720	2070	355	405	2"	0.72 m <sup>3</sup>	3 007 €
212584	CO-840	840	2130	355	430	2"	0.98 m <sup>3</sup>	3 607 €
212596	CO-960	960	2185	420	445	2 ½"	1.33 m <sup>3</sup>	4 632 €

### CO SERIES

Dimensions in mm.

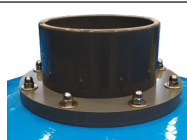
Manufactured and calculated according to EN 13121-3.  
 Design pressure 2,5 Kg/cm<sup>2</sup> | Test pressure 3,75 Kg/cm<sup>2</sup>.  
 Internal steel reinforced filter.  
 Female threads (GAS) in GRP are part of the body.  
 Sight glass.  
 Ozone concentration max. 1 ppm  
 Design temperature 40°C.



Threaded connections integrated in body



Top access



Access manhole



Sight glass



Drain plug





# OZONE CONTACTORS

## CO SERIES Ø 1010-1840

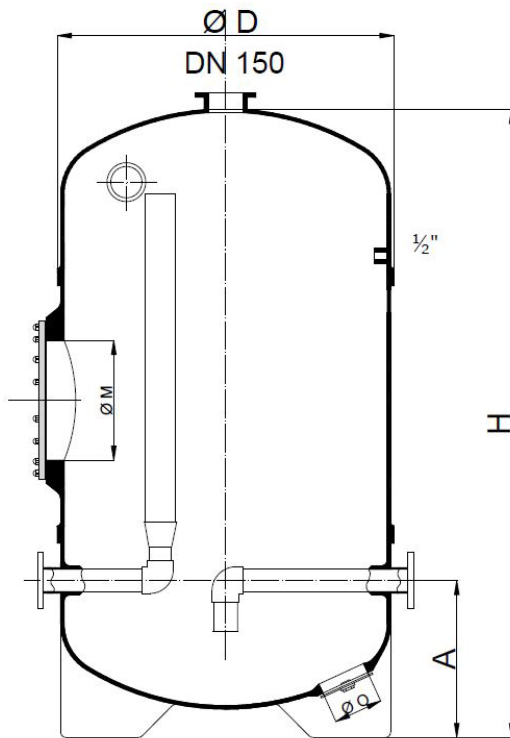
PRICE LIST 2020

Ref	ID	Ø D	H	M	O	A	Connections	Volume	Price
222610	CO-1010	1010	2100	420	165	500	DN125	1.4 m <sup>3</sup>	5 666 €
222611	CO-1160	1160	2160	420	165	550	DN150	1.9 m <sup>3</sup>	7 299 €
222612	CO-1260	1260	2200	420	165	530	DN200	2.2 m <sup>3</sup>	8 579 €
222614	CO-1440	1440	2280	420	165	600	DN200	2.9 m <sup>3</sup>	10 282 €
222616	CO-1640	1640	2360	420	165	630	DN200	4 m <sup>3</sup>	12 041 €
222618	CO-1840	1840	2440	420	165	690	DN250	5 m <sup>3</sup>	14 749 €

### CO SERIES

Dimensions in mm.

Manufactured and calculated according to EN 13121-3.  
 Design pressure 2,5 Kg/cm<sup>2</sup> | Test pressure 3,75 Kg/cm<sup>2</sup>.  
 Internal steel reinforced filter.  
 Female threads (GAS) in GRP are part of the body.  
 GRP Flanged connections.  
 Sight glass.  
 Bottom emptying hole.  
 Ozone concentration max. 1 ppm  
 Design temperature 40°C.



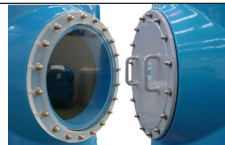
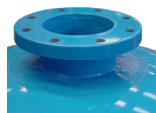
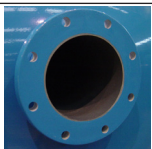
Flange integrated in body

Top manhole

Access manhole

Sight glass

Emptyng hole



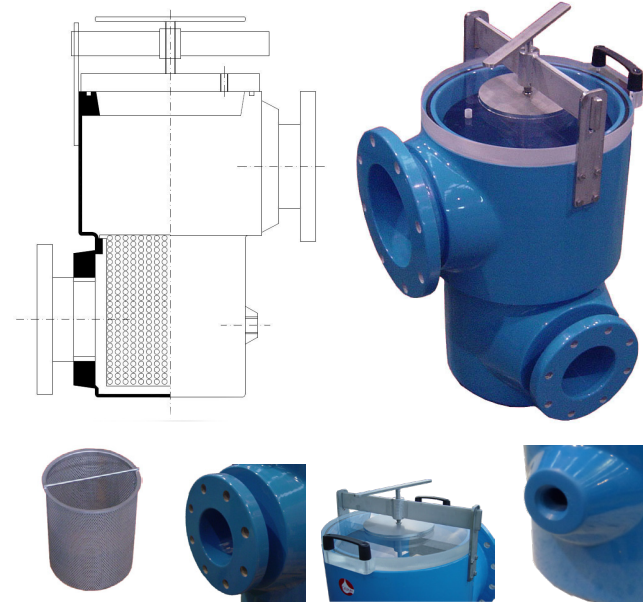


# CALPLAS 2020 CUSTOMIZED PUMP STRAINERS

PRICE LIST 2020

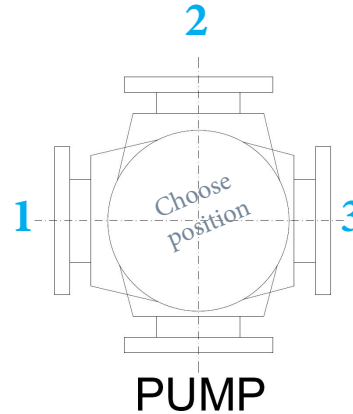
## PUMP STRAINERS

Flanged connections for INLET/OUTLET  
All connections are part of the structure of the filter in GRP.  
1 bar Max. pressure.  
Quick opening device.  
304 Stainless steel Ø4 mm hole.  
Extremely robust.  
Designed for suction side.  
Basket hole Ø4 mm.  
Flange position customizable in angle.  
Design temperature 40°C.



## ADDITIONAL OPTIONS

Different Inlet/Outlet flange sizes in same strainer.  
Optional basket hole size Ø2mm.  
Stainless steel 316 available at order. [See yellow below](#)



Standard 304 Stainless Steel    Flanged connections    Transparent lid Fast opening    Emptying thread

### USE IT AS A COLLECTOR!

Multiple flanges for inlet or outlet .  
Just add price of flange. [See page 23](#)

P25 5 Kg/cm<sup>2</sup>

+20% price increase according to model



Basket capacity: 4 l   ~ Flow 30 m <sup>3</sup> /h				Basket capacity: 8 l   ~ Flow 80 m <sup>3</sup> /h				Basket capacity: 15 l   ~ Flow 120 m <sup>3</sup> /h			
Ref	ID	Connections	Price	Ref	ID	Connections	Price	Ref	ID	Connections	Price
410403	P4/32	DN25	1 274 €	410805	P8/50	DN40	1 875 €	411507	P15/75	DN65	2 179 €
410404	P4/40	DN32	1 281 €	410806	P8/63	DN50	1 875 €	411509	P15/90	DN80	2 197 €
410405	P4/50	DN40	1 288 €	410807	P8/75	DN65	1 889 €	411511	P15/110	DN100	2 214 €
410406	P4/63	DN50	1 294 €	410809	P8/90	DN80	1 904 €	411512	P15/125	DN110	2 230 €
410407	P4/75	DN65	1 309 €	410811	P8/110	DN100	1 921 €	411514	P15/140	DN125	2 256 €
410409	P4/90	DN80	1 325 €	410812	P8/125	DN110	1 937 €	411516	P15/160	DN150	2 289 €
				410814	P8/140	DN125	1 963 €	411520	P15/200	DN175	2 324 €
				410816	P8/160	DN150	1 996 €	411522	P15/225	DN200	2 353 €
P4 Basket SS 316: +25 €				P8 Basket SS 316: +43 €				P15 Basket SS 316: +55 €			

Basket capacity: 25 l   ~ Flow 250 m <sup>3</sup> /h				Basket capacity: 60 l   ~ Flow 350 m <sup>3</sup> /h				Basket capacity: 75 l   ~ Flow 600 m <sup>3</sup> /h			
Ref	ID	Connections	Price	Ref	ID	Connections	Price	Ref	ID	Connections	Price
412509	P25/90	DN80	2 414 €	416012	P60/125	DN110	3 245 €	417525	P75/250	DN250	3 704 €
412511	P25/110	DN100	2 432 €	416014	P60/140	DN125	3 271 €	417530	P75/300	DN300	3 764 €
412512	P25/125	DN110	2 447 €	416016	P60/160	DN150	3 304 €	417535	P75/350	DN350	3 823 €
412514	P25/140	DN125	2 474 €	416020	P60/200	DN175	3 339 €	417540	P75/400	DN400	3 964 €
412516	P25/160	DN150	2 507 €	416022	P60/225	DN200	3 367 €	417545	P75/450	DN450	4 059 €
412520	P25/200	DN175	2 542 €	416025	P60/250	DN250	3 416 €	417550	P75/500	DN500	4 292 €
412522	P25/225	DN200	2 571 €	416030	P60/300	DN300	3 475 €				
412525	P25/250	DN250	2 619 €	416035	P60/350	DN350	3 535 €				
P25 Basket SS 316: +65 €				P60 Basket SS 316: +132 €				P75 Basket SS 316: +144 €			





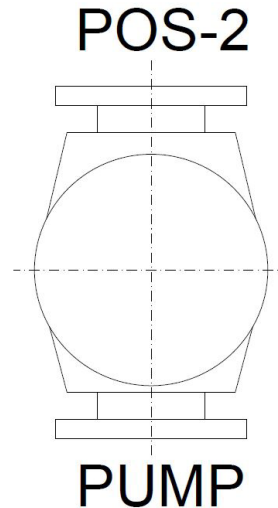
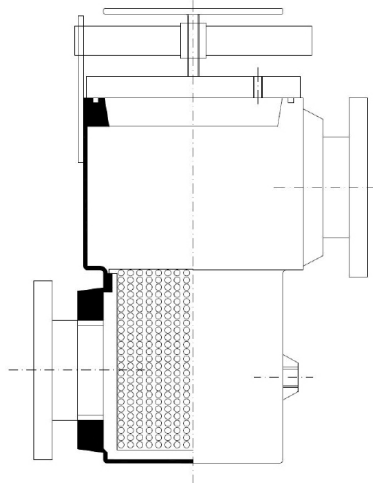
# STANDARD PUMP STRAINERS

## STANDARD PUMP STRAINERS POSITION 2

Ref	ID	Basket	Max press.	Price	
410811.S	P8/110	DN100	8 litres	1 bar	1 540 €
411511.S	P15/110	DN100	15 litres	1 bar	1 775 €
412516.S	P25/160	DN150	25 litres	1 bar	2 005 €
412522.S	P25/225	DN200	25 litres	1 bar	2 060 €
416030.S	P60/300	DN300	60 litres	1 bar	2 780 €

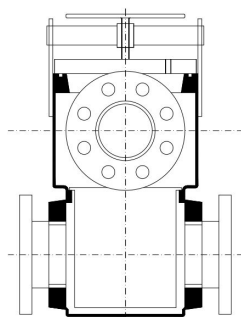
### CHARACTERISTICS

1 bar Max. pressure.  
 Quick opening device.  
 304 Stainless steel Ø4 mm hole.  
 Extremely robust.  
 Designed for suction side.

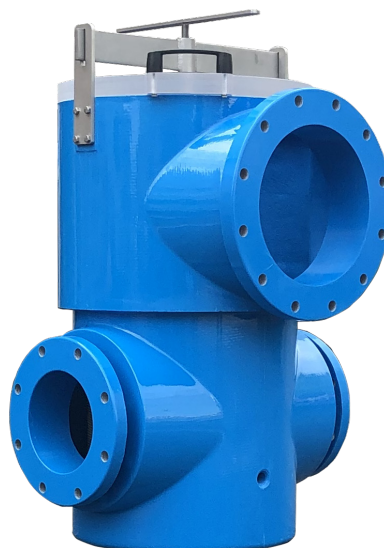
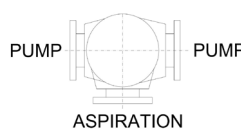


## STANDARD PUMP STRAINERS COLLECTORS

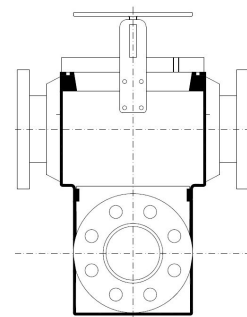
Ref	ID	Aspiration	Pump	Basket	Max press.	Price
412516.22	P25/2x160-225	2xDN150	DN200	25 litres	1 bar	2 322 €
412522.16	P25/225-2x160	DN200	2xDN150	25 litres	1 bar	2 322 €
416022.30	P60/2x225-300	2 x DN200	DN300	60 litres	1 bar	3 097 €
416030.22	P60/300-2x225	DN300	2xDN200	60 litres	1 bar	3 097 €



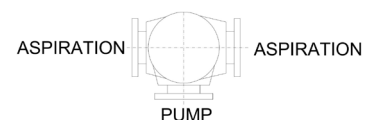
1 INLET - 2 OUTLET



Example: 1 aspiration / 2 pump



2 INLET - 1 OUTLET





# MARBLE FILTER & DISSOLVERS

Ref	ID	Ø D	H	M	Connections	Volume Lts	Price
512264	MA-640	640	985	305	DN 32 / 1½"	210	1 381 €
512272	MA-720	720	1210	305	DN 32 / 1½"	350	1 780 €

**MARBLE SERIES**

Dimensions in mm.

Design pressure 2,5 Kg/cm<sup>2</sup> | Test pressure 3,75 Kg/cm<sup>2</sup>.  
 Very large transparent top lid.  
 Internal steel reinforced filter.  
 Female threads GAS in GRP are part of the body.  
 DN 32 Flange in GRP.

Marble filters are calcium reactors designed to restore alkalinity levels by dissolving calcium carbonate into pool water to maintain stable pH and ensure efficient flocculation. Required for all swimming pools equipped with chlorine gas. Of Benefit also in all pools in soft water areas. Installed after the chlorine gas injection point or immediately after the acid dosing point.



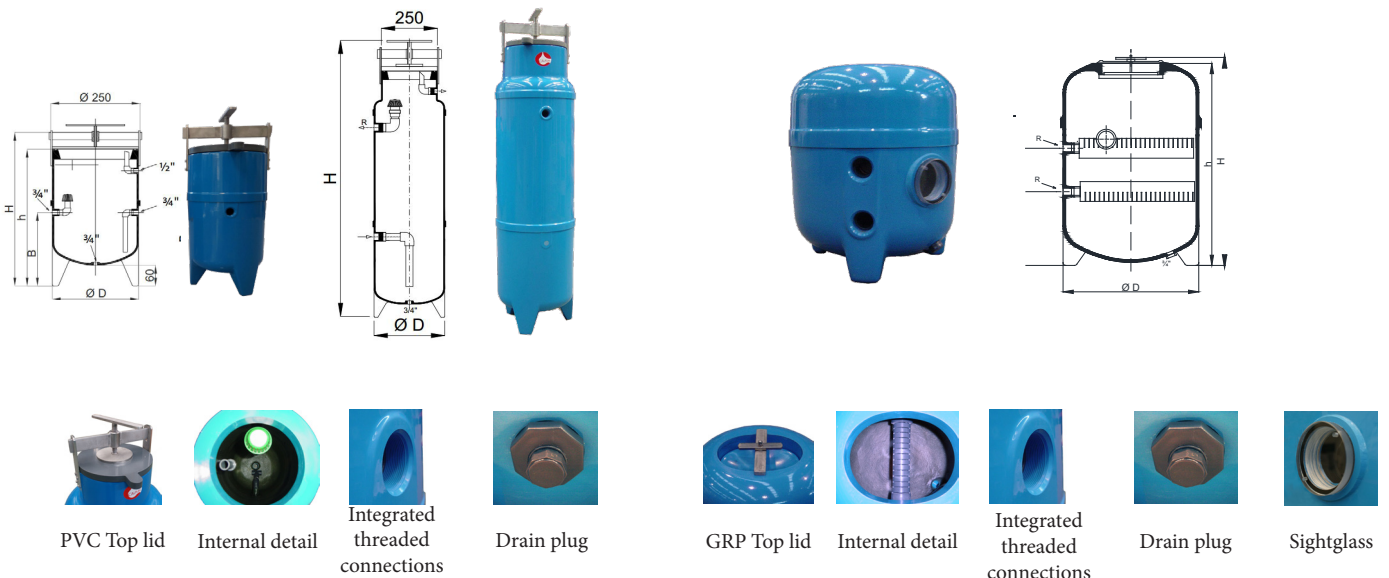
## TABLET DISSOLVERS

Ref.	ID	Ø	H	Price
512015	CT-15	250	480	618 €
512020	CT-20	250	605	650 €
512030	CT-30	320	690	731 €
512045	CT-45/L	320	940	894 €
512065	CT-65/L	320	1190	1 003 €
512085	CT-85/L	415	1040	1 079 €

## POLYPHOSPHATES DISSOLVERS

			P=5 kg/cm <sup>2</sup>		P=7 kg/cm <sup>2</sup>	
ID	Ø	H	Ref	Price	Ref	Price
PD- 40	415	515	515040	987 €	517040	1 248 €
PD- 85	465	693	515085	1 308 €	517085	1 622 €
PD- 175	645	765	515017	1 810 €	517017	2 245 €
PD- 240	725	808	515024	2 190 €	517024	2 883 €
PD- 340	835	845	515034	2 464 €	517034	3 140 €
PD- 500	1015	1100	515050	3 198 €	517050	4 229 €

CT15 - CT20 - CT 30      CT45L-CT65L-CT85/L





# CALPLAS 2020

## ADDITIONAL ELEMENTS

PRICE LIST 2020

### SIGHT GLASS



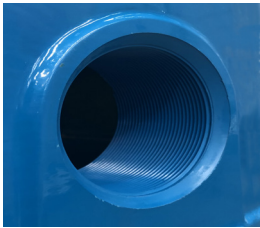
Ref: 105002	Circular sight glass 2 1/2"	From Ø415 to Ø520	212 €
Ref: 105003	Circular sight glass 3"	From Ø640 to Ø840	265 €
Ref: 105004	Circular sight glass 4"	From Ø960 to Ø1440	307 €
Ref: 105005	Circular sight glass 5"	From Ø1640 to Ø1840	375 €
Ref: 105006	Circular sight glass 6"	From Ø2040 to Ø3000	449 €

### LONG SIGHT GLASS (only available for 2.5 bar design pressure)



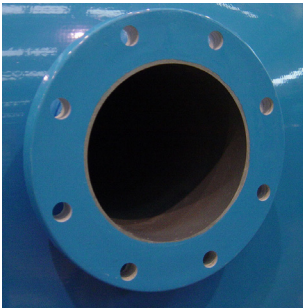
Ref: 105200	Standard vertical sight glass 200 mm	448 €
Ref: 105350	Long vertical sight glass 300 mm	603 €

### THREADED I/O



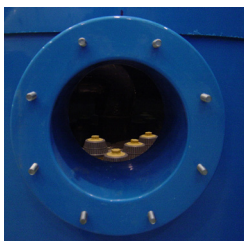
Threaded I/O - from 1/2" up to 1"	51 €
Threaded I/O - from 1 1/4" to 2"	74 €
Threaded I/O - from 2 1/2" to 4"	91 €

### FLANGES



Polyester flange - from DN 15 up to DN 25	112 €
Polyester flange - from DN 32 up to DN 65	206 €
Polyester flange - from DN 80 up to DN 100	258 €
Polyester flange - from DN 125	295 €
Polyester flange - from DN 150	378 €
Polyester flange - from DN 200	468 €
Polyester flange - from DN 250	515 €
Polyester flange - from DN 300	557 €
Polyester flange - from DN 350	644 €
Polyester flange - from DN 400	733 €
Polyester flange - from DN 450	818 €
Polyester flange - from DN 500	906 €

### HANDHOLE



Handhole Ø 160 / Ø 200 mm

498 €

### MANHOLE



Manhole Ø420->Ø 500 mm  
Only steel lid / Only Ø1010 or bigger

535 €

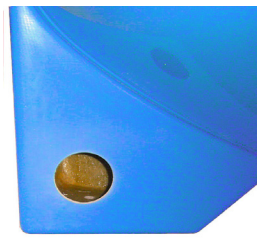
### PIPE SUPPORT



Pipe support (per unit)

167 €

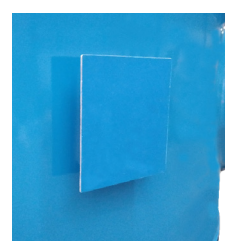
### FIXING HOLES



Holes for 3 legs + Access

180 €

### NAME PLATE SUPPORT



Name plate support

158 €

### INTERNAL RESIN LINING

Vynilester resin lining / High chemical resistance with (please check with us)

50 € + 5 % of PRICELIST

### SWIMMING POOL





## THE UNIQUE BIORESISTANT ACTIVATED FILTER MEDIA

AFM® is an Activated Filter Media manufactured from green glass to replace sand in all types of sand filters. AFM® is a revolutionary step by providing more than a 30 % performance benefit over sand. The activated surface of AFM® is self-sterilizing which prevents bacteria mud-balling, coagulation and worm-hole channelling of unfiltered water through the filter bed. Activation increases the surface area dramatically. Similar to activated carbon, the surface nano-structure adsorbs pollutants from the water to produce crystal clear sparkling water with no chlorine smell.

AFM® reduces the biological risk from bacteria and parasites as well as the chemical risk from water and air just above the surface. The result is a safer pool for children, a healthier work place for staff in public pools and a greatly improved swimming experience for everyone.

AFM® is successfully working in over 100'000 private and public swimming pools worldwide.

### AFM® PERFORMANCE

✓ Crystal clear water:

AFM® filters at least 50 % more organics than silica or glass sand. This means less THM.

✓ Lower consumption of chlorine:

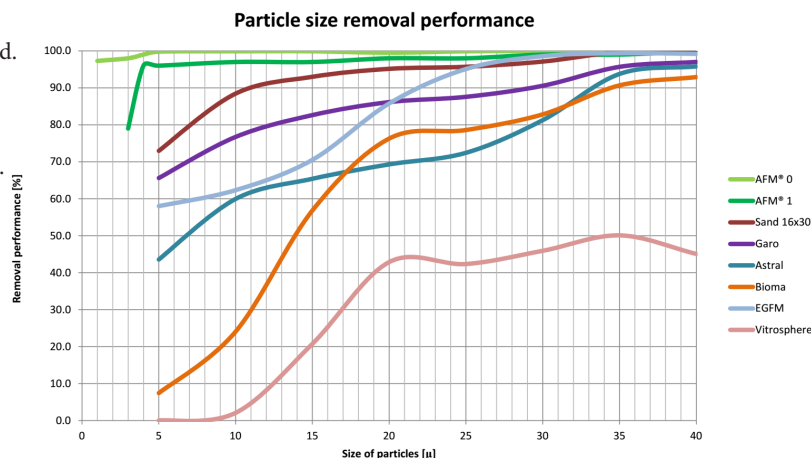
Everything filtered out doesn't need to be oxidized by chlorine. The better the filtration, the lower the chlorine demand.

✓ No trichloramine – no chlorine smell:

AFM® prevents growth of biofilm therefore eliminating trichloramine.

✓ No biofilm – no Legionella:

Biofilm is a slippery film of bacteria, that can provide a home for pathogens such as Legionella, Staphylococcus and (MRSA) Pseudomonas.



### BOOST THE PERFORMANCE OF YOUR CALPLAS FILTER WITH AFM® FILTER MEDIA

Calplas filters are made to extend their life time to the limit. We care about reliability about filter performance. Backwash flows are as important as filtering flows. Use AFM in Calplas filter to optimize the performance of your filter.

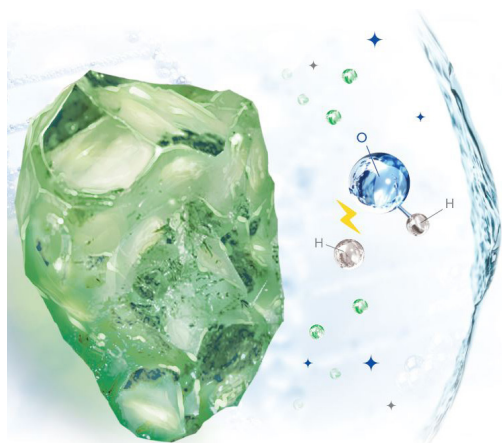


Best hardware works better the best software, CALPLAS and AFM® are better together.



AFM®

WHY AFM®?



MATERIAL

AFM® activated Filter Media is a bio-resistant filter media made from brown and green glass.

1. No clusters or channeling forming in the filter for continuous high filtration performances over many years.
2. Less problems with Legionella, Pseudomonas or Cryptosporidium.
3. Less chlorine smell, 50% less Trichloramines and 50% less THM's are created.

ACTIVATION

The unique, patent protected activation process creates a high negative surface charge for electrostatic filtration. As a result we reach a filtration efficiency of 4 microns or less for crystal clear water.

EFFICIENCY

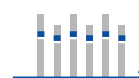
High backwash efficiency results in savings of up to 50% of the backwash water for high cost efficiency.



No clusters  
No channeling



No biofilm  
No pathogens



Stable & reliable  
filtration



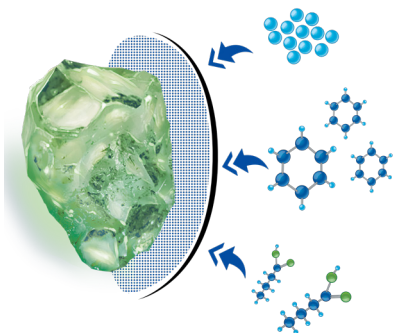
50%-80% less  
Trichloramines

AFM® MEDIA



Ref	ID	Package quantity	Price
6400	AFM® Grade 0 (0.25-0.5 mm)	(25 Kg/bag)	41 €
6401	AFM® Grade 1 (0.4-0.8 mm)	(25 Kg/bag)	41 €
6402	AFM® Grade 2 (0.7-2.0 mm)	(25 Kg/bag)	41 €
6403	AFM® Grade 3 (2.0-4.0 mm)	(25 Kg/bag)	41 €
6421	AFM® Grade 1 (0.4-0.8 mm)	(21 Kg/bag)	36 €
6422	AFM® Grade 2 (0.7-2.0 mm)	(21 Kg/bag)	36 €
6423	AFM® Grade 3 (2.0-4.0 mm)	(21 Kg/bag)	36 €
6410	AFM® Grade 0 (0.25-0.5 mm)	1 Tn/bag	1 600 €
6411	AFM® Grade 1 (0.4-0.8 mm)	1 Tn/bag	1 600 €
6412	AFM® Grade 2 (0.7-2.0 mm)	1 Tn/bag	1 600 €
6413	AFM® Grade 3 (2.0-4.0 mm)	1 Tn/bag	1 600 €

AFM® NG NEW 2020



Organic matters are the precursor for the formation of Trihalomethanes (THMs), including chloroform. Thanks to its large hydrophobic area and highly mesoporous structure, AFM® ng can filter much finer particles and up to 50% more organic substances than sand. High filtration performance means less disinfectants are used, resulting in healthier water and better air quality at lower costs.



Exceptional  
water clarity



Up to 50% less  
backwash water



↓ THMs  
Up to 50%  
less THMs



↓ Cl  
Reduced chemical  
consumption

Ref	ID	Package quantity	Price
6431	AFM® Grade 1 NG (0.4-0.8 mm)	(21 Kg/bag)	36 €
6441	AFM® Grade 1 NG (0.4-0.8 mm)	1 Tn/bag	1600 €

ACTIVATED CARBON



Ref	ID	Package quantity	Price
6200	Activated Carbon from Coconut Shells (1.18 -2.36 mm) 500 Kg/m <sup>2</sup>	25 Kg / 50 l / bag	170 €

## BESGO VALVES

### 5 WAY VALVES



Ref	ID	Price
60040	Besgo DN40 / d50 mm / 1½" Distance 190 mm	645 €
60050	Besgo DN50 / d63 mm / 2" Distance 190 mm	720 €
60065	Besgo DN65 / d75 mm / 2½" Distance 250 mm	990 €
60080	Besgo DN80 / d90 mm / 3" Distance 300 mm	1 590 €
60100	Besgo DN100 / d110 mm / 4" Distance 400 mm	2 290 €
60125	Besgo DN125 / d140 mm / 5" Distance 450 mm	3 990 €

### 3 WAY VALVES



Ref	ID	Price
60045	Besgo DN40 / d50 mm / 1½"	555 €
60055	Besgo DN50 / d63 mm / 2"	630 €
60068	Besgo DN65 / d75 mm / 2½"	800 €
60081	Besgo DN80 / d90 mm / 3"	1 280 €
60101	Besgo DN100 / d110 mm / 4"	1 850 €
60126	Besgo DN125 / d140 mm / 5"	3 450 €

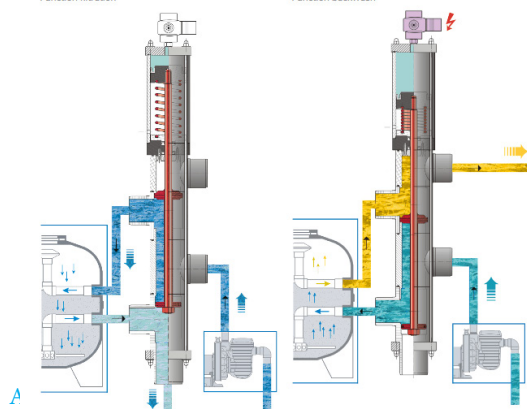
### ADAPTOR SET FOR BESGO (1set=2 sockets)



Ref	ID	Price
60042	Besgo adaptor set 50x2"	19.50 €
60052	Besgo adaptor set 63x2"	21.50 €
60067	Besgo adaptor set 75x2½"	57 €

Function filtration

Function backwash



#### Advantages:

- Outstanding reliability
- Low pressure loss
- Adjustable connection unions
- Change over switching off
- Fits on every filter



Ref	ID	Price
60901	Compressor Einhell, 1,1 kW, 230V, vessel size 24 lt, pressure ma 8 bar, 22Kg, 92 dB, with pressure reducer, 2 manometers and water drain valve	210 €

### CONNECTING KIT FOR COMPRESSOR



Ref	ID	Price
60812	Connecting Kit 1 for compressor ¼"IG: for 1 besgo valve including: 1 valve, 2 fittings, 10 m PE tube 6/4 mm	25 €
60813	Connecting Kit 2 for compressor ¼"IG: for 2 besgo valves including: 1 valve, 3 fittings, 1 T-fitting, 10 m PE tube	38 €
60814	Connecting Kit 3 for compressor ¼"IG: for 3 besgo valves including: 1 valve, 4 fittings, 2 T-fittings, 10 m PE tube	48 €
60815	Roll 6 m PE tube 6/4 mm	4.50 €
60900	Installation unit 3/8" besgo - water pressure control composed of: manometer 0 - 10 bar, non-return valve, fine filter, stop-tap	120 €



### MULTIPOINT VALVES



Ref	ID	Price
60041	KIT Multiport DN40 / d50 mm / 1½" (Plug in READY)	128 €
60051	KIT Multiport DN50 / d63 mm / 2" (Plug in READY)	191 €
60066	KIT Multiport DN65 / d 75 mm / 2½" mm (Accessories)	382 €
60081	KIT Multiport DN80 / d 90 mm / 3" (Accessories)	626 €

### MANOMETER KIT



Ref	ID	Price
61000	MK	35 €

### REPAIR KIT



Ref	ID	Price
62100	PRK	99 €

(Sand paper, polish & brightener + spray + paper tape + microfiber)

### MEDIA TRAPS



S-20

S-40

S-120 / S-200 / S-280

Ref	ID	Max. Flow	Connections	Max pressure drop	Material	Price
112520	S-20 POOL	20 m³/h	Ø 63	0.1 bar	PVC	244 €
426001	S-40 POOL	40 m³/h	Ø 90	0.1 bar	PVC	879 €
426003	S-120 POOL	120 m³/h	DN 125	0.1 bar	GRP	1 499 €
426005	S-200 POOL	200 m³/h	DN 200	0.1 bar	GRP	1 972 €
426007	S-280 POOL	280 m³/h	DN 250	0.1 bar	GRP	2 247 €

### FLOWMETERS



Ref	ID	Flow	Max pressure drop	Price
63602	FlowVis® d 25/32 mm	1.2 - 5.4 m³/h	0.13 bar	87 €
63604	FlowVis® d 50 mm	2.4-21 m³/h	0.14 bar	175 €
63605	FlowVis® d63 mm	2.4-24 m³/h	0.12 bar	175 €
63606	FlowVis® d75 mm	7 - 45 m³/h	0.02 bar	175 €
63608	FlowVis® d90 mm	20-50 m³/h	0.01 bar	495 €
63610	FlowVis® d110 mm	34-64 m³/h	0.01 bar	530 €
63615	FlowVis® d160 mm	70 - 250 m³/h	0.01 bar	995 €
63617	FlowVis® d200 mm	90 - 400 m³/h	0.01 bar	1095 €

The Flow Meter FlowVis® from H2Flow can be installed in every direction and includes a non return Valve (DN 40 to DN 65). The average accuracy is 97.9%. The product is NSF 50 certified and a product of high quality. Scale in LPM.

# USEFUL INFORMATION

PRICE LIST 2020

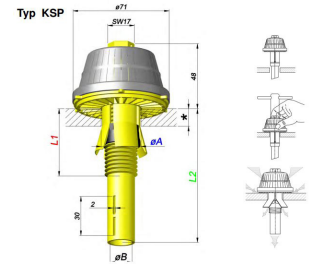
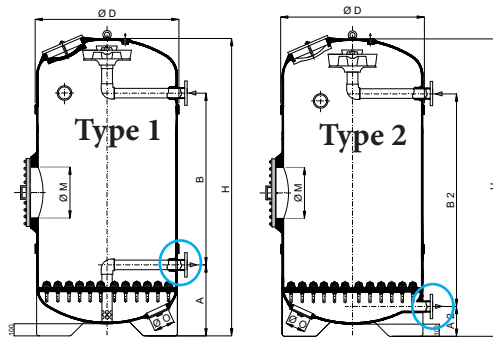
Calplas model	Filtering surface (m <sup>2</sup> )	Connection Standard	Besgo Compatibility	Flow (m <sup>3</sup> /h) 10 m/h	Flow (m <sup>3</sup> /h) 20 m/h	Flow (m <sup>3</sup> /h) 25 m/h	Flow (m <sup>3</sup> /h) 30 m/h	Flow (m <sup>3</sup> /h) 45 m/h	Flow (m <sup>3</sup> /h) 50 m/h	Flow (m <sup>3</sup> /h) 60 m/h
FA 06	0,13	2"	✓ Besgo AG	1,3	2,6	3,25	3,9	5,85	6,5	7,8
FA 08	0,16	2"	✓ Besgo AG	1,6	3,2	4	4,8	7,2	8	9,6
FA 10	0,20	2"	✓ Besgo AG	2	4	5	6	9	10	12
FA 15	0,31	2"	✓ Besgo AG	3,1	6,2	7,75	9,3	13,95	15,5	18,6
FA 20	0,39	2"	✓ Besgo AG	3,9	7,8	9,75	11,7	17,55	19,5	23,4
FA 30	0,52	2"	✓ Besgo AG	5,2	10,4	13	15,6	23,4	26	31,2
FA 35	0,70	2 1/2"	✓ Besgo AG	7	14	17,5	21	31,5	35	42
HFS 06	0,13	2"	✓ Besgo AG	1,3	2,6	3,25	3,9	5,85	6,5	7,8
HFS 08	0,16	2"	✓ Besgo AG	1,6	3,2	4	4,8	7,2	8	9,6
HFS 10	0,20	2"	✓ Besgo AG	2	4	5	6	9	10	12
HFS 15	0,31	2"	✓ Besgo AG	3,1	6,2	7,75	9,3	13,95	15,5	18,6
HFS 20	0,39	2"	✓ Besgo AG	3,9	7,8	9,75	11,7	17,55	19,5	23,4
HFS 30	0,52	2"	✓ Besgo AG	5,2	10,4	13	15,6	23,4	26	31,2
HFS 35	0,70	2 1/2"	✓ Besgo AG	7	14	17,5	21	31,5	35	42
AFM - 520	0,20	2"	✓ Besgo AG	2	4	5	6	9	10	12
AFM - 640	0,31	2"	✓ Besgo AG	3,1	6,2	7,75	9,3	13,95	15,5	18,6
AFM - 720	0,39	2"	✓ Besgo AG	3,9	7,8	9,75	11,7	17,55	19,5	23,4
AFM - 840	0,52	2"	✓ Besgo AG	5,2	10,4	13	15,6	23,4	26	31,2
AFM - 960	0,70	2 1/2"	✓ Besgo AG	7	14	17,5	21	31,5	35	42
AFM/P 520	0,20	2"	✓ Besgo AG	2	4	5	6	9	10	12
AFM/P 640	0,31	2"	✓ Besgo AG	3,1	6,2	7,75	9,3	13,95	15,5	18,6
AFM/P 720	0,39	2"	✓ Besgo AG	3,9	7,8	9,75	11,7	17,55	19,5	23,4
AFM/P 840	0,52	2"	✓ Besgo AG	5,2	10,4	13	15,6	23,4	26	31,2
AFM/P 960	0,70	2 1/2"	✓ Besgo AG	7	14	17,5	21	31,5	35	42
DCH415	0,13	2"	✓ Besgo AG	1,3	2,6	3,25	3,9	5,85	6,5	7,8
DCH460	0,16	2"	✓ Besgo AG	1,6	3,2	4	4,8	7,2	8	9,6
DCH520	0,20	2"	✓ Besgo AG	2	4	5	6	9	10	12
DCH640	0,31	2"	✓ Besgo AG	3,1	6,2	7,75	9,3	13,95	15,5	18,6
DCH720	0,39	2"	✓ Besgo AG	3,9	7,8	9,75	11,7	17,55	19,5	23,4
DCH840	0,52	2 1/2"	✓ Besgo AG	5,2	10,4	13	15,6	23,4	26	31,2
DCH960	0,70	2 1/2"	✓ Besgo AG	7	14	17,5	21	31,5	35	42
DCH1010	0,78	DN80	✓ Besgo AG	7,8	15,6	19,5	23,4	35,1	39	46,8
DCH1260	1,21	DN100	✓ Besgo AG	12,1	24,2	30,25	36,3	54,45	60,5	72,6
DCH/P415	0,13	2"	✓ Besgo AG	1,3	2,6	3,25	3,9	5,85	6,5	7,8
DCH/P460	0,16	2"	✓ Besgo AG	1,6	3,2	4	4,8	7,2	8	9,6
DCH/P520	0,20	2"	✓ Besgo AG	2	4	5	6	9	10	12
DCH/P640	0,31	2"	✓ Besgo AG	3,1	6,2	7,75	9,3	13,95	15,5	18,6
DCH/P720	0,39	2"	✓ Besgo AG	3,9	7,8	9,75	11,7	17,55	19,5	23,4
DCH/P840	0,52	2 1/2"	✓ Besgo AG	5,2	10,4	13	15,6	23,4	26	31,2
DCH/P960	0,70	2 1/2"	✓ Besgo AG	7	14	17,5	21	31,5	35	42
DCH/P1010	0,78	DN80	✓ Besgo AG	7,8	15,6	19,5	23,4	35,1	39	46,8
DCH/P1260	1,21	DN100	✓ Besgo AG	12,1	24,2	30,25	36,3	54,45	60,5	72,6
DS 1010	0,78	DN80	✓ Besgo AG	7,8	15,6	19,5	23,4	35,1	39	46,8
DS 1160	1,01	DN100	✓ Besgo AG	10,1	20,2	25,25	30,3	45,45	50,5	60,6
DS 1260	1,21	DN100	✓ Besgo AG	12,1	24,2	30,25	36,3	54,45	60,5	72,6
DS 1440	1,55	DN100	✓ Besgo AG	15,5	31	38,75	46,5	69,75	77,5	93
DS 1640	2,04	DN125	✓ Besgo AG	20,4	40,8	51	61,2	91,8	102	122,4
DS 1840	2,52	DN125	✓ Besgo AG	25,2	50,4	63	75,6	113,4	126	151,2
DS 2040	3,17	DN150	✓ Besgo AG	31,7	63,4	79,25	95,1	142,65	158,5	190,2
DS 2200	3,77	DN150	✓ Besgo AG	37,7	75,4	94,25	113,1	169,65	188,5	226,2
DS 2340	4,06	DN200	✓ Besgo AG	40,6	81,2	101,5	121,8	182,7	203	243,6
DS 2550	4,91	DN250	✓ Besgo AG	49,1	98,2	122,75	147,3	220,95	245,5	294,6
DS 2800	5,97	DN250	✓ Besgo AG	59,7	119,4	149,25	179,1	268,65	298,5	358,2
DS 3000	6,90	DN250	✓ Besgo AG	69	138	172,5	207	310,5	345	414
DPS 1010	0,78	DN80	✓ Besgo AG	7,8	15,6	19,5	23,4	35,1	39	46,8
DPS 1160	1,01	DN100	✓ Besgo AG	10,1	20,2	25,25	30,3	45,45	50,5	60,6
DPS 1260	1,21	DN100	✓ Besgo AG	12,1	24,2	30,25	36,3	54,45	60,5	72,6
DPS 1440	1,55	DN100	✓ Besgo AG	15,5	31	38,75	46,5	69,75	77,5	93
DPS 1640	2,04	DN125	✓ Besgo AG	20,4	40,8	51	61,2	91,8	102	122,4
DPS 1840	2,52	DN125	✓ Besgo AG	25,2	50,4	63	75,6	113,4	126	151,2
DPS 2040	3,17	DN150	✓ Besgo AG	31,7	63,4	79,25	95,1	142,65	158,5	190,2
DPS 2200	3,77	DN150	✓ Besgo AG	37,7	75,4	94,25	113,1	169,65	188,5	226,2
DPS 2340	4,06	DN200	✓ Besgo AG	40,6	81,2	101,5	121,8	182,7	203	243,6
DPS 2550	4,91	DN250	✓ Besgo AG	49,1	98,2	122,75	147,3	220,95	245,5	294,6
DPS 2800	5,97	DN250	✓ Besgo AG	59,7	119,4	149,25	179,1	268,65	298,5	358,2
DPS 3000	6,90	DN250	✓ Besgo AG	69	138	172,5	207	310,5	345	414
DPS/420 1010	0,78	DN80	✓ Besgo AG	7,8	15,6	19,5	23,4	35,1	39	46,8
DPS/420 1160	1,01	DN100	✓ Besgo AG	10,1	20,2	25,25	30,3	45,45	50,5	60,6
DPS/420 1260	1,21	DN100	✓ Besgo AG	12,1	24,2	30,25	36,3	54,45	60,5	72,6
DPS/420 1440	1,55	DN100	✓ Besgo AG	15,5	31	38,75	46,5	69,75	77,5	93
DPS/420 1640	2,04	DN125	✓ Besgo AG	20,4	40,8	51	61,2	91,8	102	122,4
DPS/420 1840	2,52	DN125	✓ Besgo AG	25,2	50,4	63	75,6	113,4	126	151,2
DPS/420 2040	3,17	DN150	✓ Besgo AG	31,7	63,4	79,25	95,1	142,65	158,5	190,2
DPS/420 2200	3,77	DN150	✓ Besgo AG	37,7	75,4	94,25	113,1	169,65	188,5	226,2
DPS/420 2340	4,06	DN200	✓ Besgo AG	40,6	81,2	101,5	121,8	182,7	203	243,6
DPS/420 2550	4,91	DN250	✓ Besgo AG	49,1	98,2	122,75	147,3	220,95	245,5	294,6
DPS/420 2800	5,97	DN250	✓ Besgo AG	59,7	119,4	149,25	179,1	268,65	298,5	358,2
DPS/420 3000	6,90	DN250	✓ Besgo AG	69	138	172,5	207	310,5	345	414
DPSL/420 1010	0,78	DN80	✓ Besgo AG	7,8	15,6	19,5	23,4	35,1	39	46,8
DPSL/420 1160	1,01	DN100	✓ Besgo AG	10,1	20,2	25,25	30,3	45,45	50,5	60,6
DPSL/420 1260	1,21	DN100	✓ Besgo AG	12,1	24,2	30,25	36,3	54,45	60,5	72,6
DPSL/420 1440	1,55	DN100	✓ Besgo AG	15,5	31	38,75	46,5	69,75	77,5	93
DPSL/420 1640	2,04	DN125	✓ Besgo AG	20,4	40,8	51	61,2	91,8	102	122,4
DPSL/420 1840	2,52	DN125	✓ Besgo AG	25,2	50,4	63	75,6	113,4	126	151,2
DPSL/420 2040	3,17	DN150	✓ Besgo AG	31,7	63,4	79,25	95,1	142,65	158,5	190,2
DPSL/420 2210	3,77	DN150	✓ Besgo AG	37,7	75,4	94,25	113,1	169,65	188,5	226,2
DPSL/420 2340	4,06	DN200	✓ Besgo AG	40,6	81,2	101,5	121,8	182,7	203	243,6
DPSL/420 2550	4,91	DN250	✓ Besgo AG	49,1	98,2	122,75	147,3	220,95	245,5	294,6
DPSL/420 2800	5,97	DN250	✓ Besgo AG	59,7	119,4	149,25	179,1	268,65	298,5	358,2
DPSL/420 3000	6,90	DN250	✓ Besgo AG	69	138	172,5	207	310,5	345	414
FB40	0,78	DN80	✓ Besgo AG	7,8	15,6	19,5	23,4	35,1	39	46,8
FB50	1,01	DN80	✓ Besgo AG	10,1	20,2	25,25	30,3	45,45	50,5	60,6
FB60	1,21	DN100	✓ Besgo AG	12,1	24,2	30,25	36,3	54,45	60,5	72,6
FB80	1,55	DN100	✓ Besgo AG	15,5	31	38,75	46,5	69,75	77,5	93
FB100	2,04	DN125	✓ Besgo AG	20,4	40,8	51	61,2	91,8	102	122,4
FB125	2,52	DN125	✓ Besgo AG	25,2	50,4	63	75,6	113,4	126	151,2
FB150	3,17	DN150	✓ Besgo AG	31,7	63,4	79,25	95,1	142,65	158,5	190,2
FB175	3,77	DN150	✓ Besgo AG	37,7	75,4	94,25	113,1	169,65	188,5	226,2
FB200	4,06	DN200	✓ Besgo AG	40,6	81,2	101,5	121,8	182,7	203	243,6
FB250	4,91	DN250	✓ Besgo AG	49,1	98,2	122,75	147,3	220,95	245,5	294,6
FB300	5,97	DN250	✓ Besgo AG	59,7	119,4	149,25	179,1	268,65	298,5	358,2
FB350	6,90	DN250	✓ Besgo AG	69	138	172,5	207	310,5	345	414

# USEFUL INFORMATION

PRICE LIST 2020

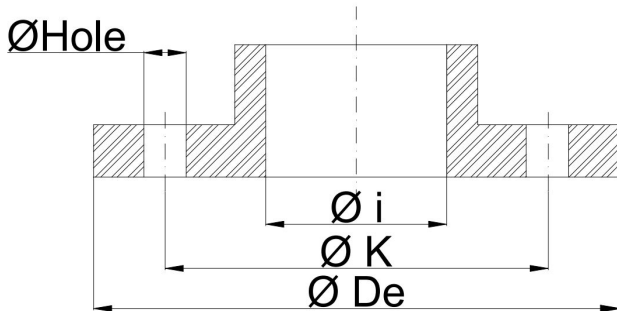
	Recommended media height (mm)	Total number of bags	Total sand (Kg)	Total AFM (Kg)	Distance from laterals / nozzle plate to top collector (mm)	Expansion	Estimated Empty weight (Kg)
FA 06	300	3	75	63	460	31,8%	12
FA 08	325	4	100	84	470	23,7%	14
FA 10	350	5	125	105	500	36,0%	17
FA 15	350	8	200	168	544	45,8%	38
FA 20	400	12	300	252	600	38,8%	46
FA 30	400	16	400	336	640	57,6%	55
FA 35	450	24	600	504	695	51,2%	69
HFS 06	450	3	75	63	591	64,6%	15
HFS 08	450	4	100	84	591	52,2%	16
HFS 10	500	6	150	126	631	37,2%	20
HFS 15	600	12	300	252	805	32,9%	42
HFS 20	600	16	400	336	810	31,7%	51
HFS 30	650	24	600	504	880	29,9%	60
HFS 35	700	34	850	714	935	31,1%	75
AFM - 520	900	11	275	231	1135	26,4%	58
AFM - 640	900	17	425	357	1195	33,4%	75
AFM - 720	900	22	550	462	1185	33,3%	88
AFM - 840	950	31	775	651	1210	31,4%	99
AFM - 960	1000	44	1.100	924	1295	33,4%	125
AFM/P 520	850	9	225	189	1100	38,1%	72
AFM/P 640	850	15	375	315	1100	27,0%	81
AFM/P 720	850	18	450	378	1090	33,1%	118
AFM/P 840	850	25	625	525	1130	32,4%	137
AFN/P 960	900	35	875	735	1170	31,5%	160
DCH415	1200	9	225	189	1551	30,4%	53
DCH460	1200	11	275	231	1562	32,9%	56
DCH520	1200	14	350	294	1552	33,3%	61
DCH640	1200	23	575	483	1621	30,8%	77
DCH720	1200	29	725	609	1635	35,7%	95
DCH840	1200	40	1.000	840	1735	41,7%	112
DCH960	1200	53	1.325	1.113	1798	50,2%	140
DCH1010	1200	60	1.500	1.260	1620	30,4%	152
DCH1260	1200	90	2.250	1.890	1640	37,4%	175
DCH/P415	1200	8	200	168	1526	36,2%	61
DCH/P460	1200	11	275	231	1537	24,2%	66
DCH/P520	1200	13	325	273	1557	35,5%	76
DCH/P640	1200	21	525	441	1566	29,0%	97
DCH/P720	1200	27	675	567	1590	30,0%	125
DCH/P840	1200	36	900	756	1620	32,0%	150
DCH/P960	1200	47	1.175	987	1663	39,2%	190
DCH/P1010	1200	52	1.300	1.092	1620	35,4%	218
DCH/P1260	1200	82	2.050	1.722	1640	35,6%	247
DS 1010	1200	60	1.500	1.260	1700	36,8%	168
DS 1160	1200	76	1.900	1.596	1805	48,6%	181
DS 1260	1200	90	2.250	1.890	1815	52,0%	210
DS 1440	1200	118	2.950	2.478	1865	55,6%	320
DS 1640	1200	160	4.000	3.360	1925	57,8%	390
DS 1840	1200	194	4.850	4.074	1955	66,6%	450
DS 2040	1200	250	6.250	5.250	2040	71,8%	535
DS 2200	1200	310	7.750	6.510	2130	75,9%	610
DS 2340	1200	330	8.250	6.930	2100	75,8%	760
DS 2550	1200	400	10.000	8.400	2140	80,4%	850
DS 2800	1200	520	13.000	10.920	2250	86,4%	1020
DS 3000	1200	580	14.500	12.180	2200	86,2%	1160
DPS 1010	1200	52	1.300	1.092	1530	27,8%	280
DPS 1160	1200	70	1.750	1.470	1615	31,0%	295
DPS 1260	1200	82	2.050	1.722	1625	34,3%	360
DPS 1440	1200	110	2.750	2.310	1625	28,7%	464
DPS 1640	1200	140	3.500	2.940	1705	39,1%	568
DPS 1840	1200	180	4.500	3.780	1725	35,6%	690
DPS 2040	1200	220	5.500	4.620	1780	44,1%	880
DPS 2200	1200	260	6.500	5.460	1850	50,4%	1100
DPS 2340	1200	280	7.000	5.880	1845	50,2%	1250
DPS 2550	1200	340	8.500	7.140	1900	53,9%	1380
DPS 2800	1200	400	10.000	8.400	1990	66,4%	1490
DPS 3000	1200	460	11.500	9.660	1990	67,1%	1610
DPS/420 1010	1200	52	1.300	1.092	1530	27,8%	310
DPS/420 1160	1200	70	1.750	1.470	1615	31,0%	350
DPS/420 1260	1200	82	2.050	1.722	1625	34,3%	400
DPS/420 1440	1200	110	2.750	2.310	1625	28,7%	580
DPS/420 1640	1200	140	3.500	2.940	1705	39,1%	610
DPS/420 1840	1200	180	4.500	3.780	1725	35,6%	745
DPS/420 2040	1200	220	5.500	4.620	1780	44,1%	925
DPS/420 2200	1200	260	6.500	5.460	1920	56,0%	1145
DPS/420 2340	1200	280	7.000	5.880	1925	56,8%	1300
DPS/420 2550	1200	340	8.500	7.140	1970	59,6%	1435
DPS/420 2800	1200	400	10.000	8.400	1990	66,4%	1510
DPS/420 3000	1200	460	11.500	9.660	1990	67,1%	1660
DPSL/420 1010	1500	62	1.550	1.302	1830	27,8%	345
DPSL/420 1160	1500	84	2.100	1.764	1915	29,1%	390
DPSL/420 1260	1500	98	2.450	2.058	1925	32,7%	440
DPSL/420 1440	1500	130	3.250	2.730	1925	28,5%	640
DPSL/420 1640	1500	170	4.250	3.570	2005	34,4%	670
DPSL/420 1840	1500	210	5.250	4.410	2025	35,8%	820
DPSL/420 2040	1500	270	6.750	5.670	2080	37,0%	1020
DPSL/420 2210	1500	320	8.000	6.720	2220	46,5%	1260
DPSL/420 2340	1500	340	8.500	7.140	2225	48,9%	1430
DPSL/420 2550	1500	410	10.250	8.610	2270	52,1%	1600
DPSL/420 2800	1500	500	12.500	10.500	2290	53,2%	1700
DPSL/420 3000	1500	580	14.500	12.180	2290	52,6%	1850
FB40	500	30	750	630	730	32,4%	100
FB50	600	42	1.050	882	850	38,4%	125
FB60	650	56	1.400	1.176	880	27,8%	155
FB80	720	78	1.950	1.638	955	29,7%	202
FB100	800	120	3.000	2.520	1095	26,5%	280
FB125	850	150	3.750	3.150	1155	34,5%	340
FB150	900	210	5.250	4.410	1250	30,6%	438
FB175	1000	270	6.750	5.670	1350	32,3%	525
FB200	1000	290	7.250	6.090	1340	31,8%	600
FB250	1000	360	9.000	7.560	1390	34,0%	790
FB300	1000	460	11.500	9.660	1400	36,4%	953
FB350	900	480	12.000	10.080	1230	33,7%	1100

### NOZZLES PER PLATE

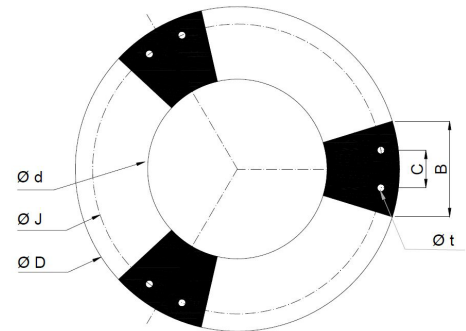


Ø D	415	460	520	640	720	840	960	1010	1160	1260	1440	1640	1840	2040	2210	2340	2550	2800	3000
Type 1	12	12	15	20	24	35	43	48	64	84	96	132	172	212	235	284	336	419	484
Type 2	12	12	16	21	25	36	44	53	69	89	101	137	177	217	240	289	341	428	489

### FLANGES INFORMATION DIN PN10



### CALPLAS LEG INFORMATION / FIXING HOLES DATA



Connection	Inch	i	D <sub>e</sub>	K	N° Holes	ØHole
DN15	1/2"	20	95	65	4	14
DN20	3/4"	25	105	75	4	14
DN25	1"	32	115	85	4	14
DN32	1 1/4"	40	140	110	4	18
DN40	1 1/2"	50	150	110	4	18
DN50	2"	63	165	125	4	18
DN65	2 1/2"	75	185	145	4	18
DN80	3"	90	200	160	8	18
DN100	4"	110	220	180	8	18
DN110	--	125	230	190	8	18
DN125	5"	*125/140	250	210	8	18
DN150	6"	160	285	240	8	22
DN175	--	200	315	270	8	22
DN200	8"	225	340	295	8	22
DN250	10"	*250/280	395	350	12	22
DN300	12	315	445	400	12	22
DN350	14	355	505	460	16	22
DN400	16	400	565	515	16	26
DN500	20	560	670	620	20	26

Ø	D	d	J	B	C	t
415	400	310	355	90	0	12
460	440	340	390	95	0	12
520	503	493	450	105	0	12
640	612	482	550	120	0	12
720	670	510	600	130	0	14
840	795	615	705	140	0	14
960	925	725	825	160	0	14
1010	970	470	830	250	0	16
1160	1120	620	1000	270	130	16
1260	1215	670	1125	290	150	16
1440	1380	780	1250	325	170	16
1640	1560	810	1400	370	190	16
1840	1760	1060	1610	370	200	20
2040	1980	1230	1800	410	200	20
2210	2160	1450	1960	430	220	20
2340	2240	1440	2000	450	220	20
2550	2435	1550	2200	550	250	20
2800	2700	1700	2400	570	250	20
3000	CHECK WITH US					

\* With this sizes, please always inform about pipe dimension.

ANSI and JIS also available

## RESIDENTIAL FILTERS

Residential filters price include carton box packaging.



## RESIDENTIAL FILTERS MAXIMUM QUANTITY PER PALET

Ref	FA	HFS	AFM	AFM/P
415	10	8	*	*
460	10	8	*	*
520	10	8	4	4
640	10	8	4	4
720	8	8	4	4
840	8	4	1	1
960	2	1	1	1

## PUBLIC FILTERS

Public filters with threaded connections DCH or DCH/P (Ø415 -Ø960) are sent in carton box which is included in the price.

Public filters with flanged connections require a wooden box crate if it is sharing transport with other loads. Please see prices below.



### FB

Model	Net Price
FB-40 to FB-80	120 €
FB-100 to FB-175	195 €
FB-200	210 €
FB-250	245 €
FB-300	290 €
FB-350	325 €

### COLUMNS WITH FLANGES

Model	Net Price
Ø415 to Ø640 mm	75 €
Ø720 to Ø960 mm	115 €
Ø1010 to Ø1440 mm	195 €
Ø1640 to Ø2210 mm	305 €
Ø2340 mm	355 €
Ø2550 mm	424 €
Ø2800 mm	485 €
Ø3000 mm	565 €

For some installations a direct shipment can be done with a full truck load, under this circumstances wooden box crates can be avoided under customers responsibility not to damage the filters on the unloading process.





[calplas@calplas.com](mailto:calplas@calplas.com)  
[www.calplas.com](http://www.calplas.com)

Polígono Txirrita-Maleo  
Pabellón nº 9  
20100 Rentería (Guipuzcoa)-España  
Tel.: 943 49 05 01  
FAX: 943 49 26 63