

QUALITY
WITHOUT
COMPROMISE

PRICE LIST

SWIMMING POOLS 2022





CALPLAS PRESSURE VESSELS

Calplas vessels have been used in industrial projects worldwide since 1970 and it is one of the most experienced filter manufacturer in the world. A continuous growth, stimulated by a very hard working, experienced team, and a mechanical engineer soul has allowed us to become a quality and reliability reference. During this period our manufacturing has demonstrated the complete reliability of our products. Our daily contact with water treatment companies and experienced pool distributors all over the world has also helped us to innovate and to gain an advantage over our competitors responding to new water treatment challenges. This experience has also allowed us to trial new materials in order to overcome specific project water treatment requirements.

WHY CALPLAS?

The first question is which is the best material for a vessel?

Steel tanks :

PROS: Very reliable and strong vessels.

CONS: These suffer from corrosion and require continuous maintenance to replace the different linings used (epoxy painting, rubber coatings...).

Fiber Glass vessels:

PROS: No corrosion.

CONS: Most polyester vessels are built for the swimming pool industry, where both pressure requirements and reliability fall far short of what is required in any industrial project.

Why choose between one or the other?

Calplas uses only the most reliable GRP Polyester technology in its manufacturing process. MANUALLY LAMINATED HAND LAY UP. This means that the fibers are oriented in the directions of the maximum tensions of the filter, strictly calculated. On top, this is combined with **encapsulated internal steel reinforcement** used at all points where the filter is under additional stress. This makes our filters the most reliable on the market.

Calplas filters are as strong as steel with the corrosion resistance of the polyester reinforced with fiberglass



OUR EXPERIENCE

No other manufacturer has more than 50 years experience in :

- Filtration systems
- Ion exchanger vessels
- Adequate internal lining adaptation

After 50 years of manufacturing in direct collaboration with water treatment companies and pool distributors, **Calplas is proud to manufacture the best filters in the world**, with an outstanding reliability, durability and performance.



Validity of prices: Prices are valid until the end of the year unless we reach an high inflation rate. In that case we will increase our prices accordingly. We will give 10 – 30 days of notice time.

INDEX

FA SERIES Ø 520-960.....	4
HFS SERIES Ø 415-960.....	5
AFM SERIES Ø 520-960	6
AFM/P SERIES Ø 520-960.....	7
DCH SERIES Ø 415-1260.....	8
DCH/P SERIES Ø 415-1260.....	9
DS SERIES Ø 1010-3000.....	10
DPS SERIES Ø 1010-3000.....	11
DCS SERIES Ø 1010-3000	12
DPS/420 SERIES Ø 1010-3000.....	13
DPSL/420 SERIES Ø 1010-3000.....	14
FB SERIES Ø 1010-3000.....	15
HORIZONTAL FILTERS.....	16
CO SERIES Ø 415-1840.....	17
CUSTOMIZED PUMP STRAINERS.....	18
STANDARD PUMP STRAINERS.....	19
ADDITIONAL ELEMENTS.....	20
OTHER PRODUCTS.....	21
AFM.....	22
BESGO VALVES.....	23
USEFUL INFORMATION	24-25
PACKAGING.....	26
TECHNICAL DATA	27



FA SERIES Ø 520-960

Ref	ID	Ø D	H	O	A	B	E	I/O	Filt. Surface	Price
102052	FA-10	520	800	190	310	190	25	2"	0,20 m ²	1 030 €
102064	FA-15	640	830	190	310	190	25	2"	0,30 m ²	1 195 €
102072	FA-20	720	930	190	360	190	75	2"	0,40 m ²	1 405 €
102084	FA-30	840	950	190	360	190	75	2"	0,52 m ²	1 675 €
102096	FA-35	960	~ 1050	305	360	250	75	2 ½"	0,70 m ²	2 370 €

FA SERIES 350- 450 BED HEIGHT

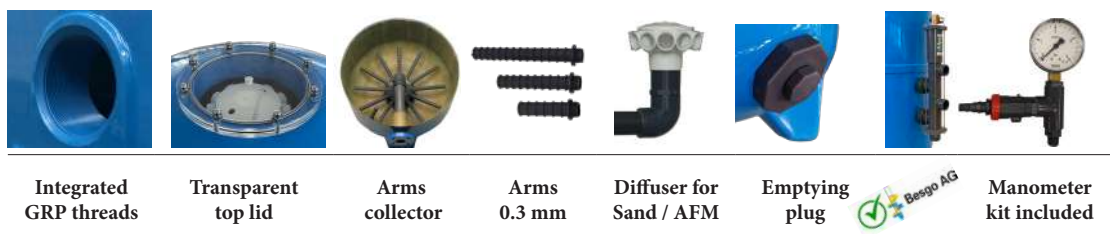
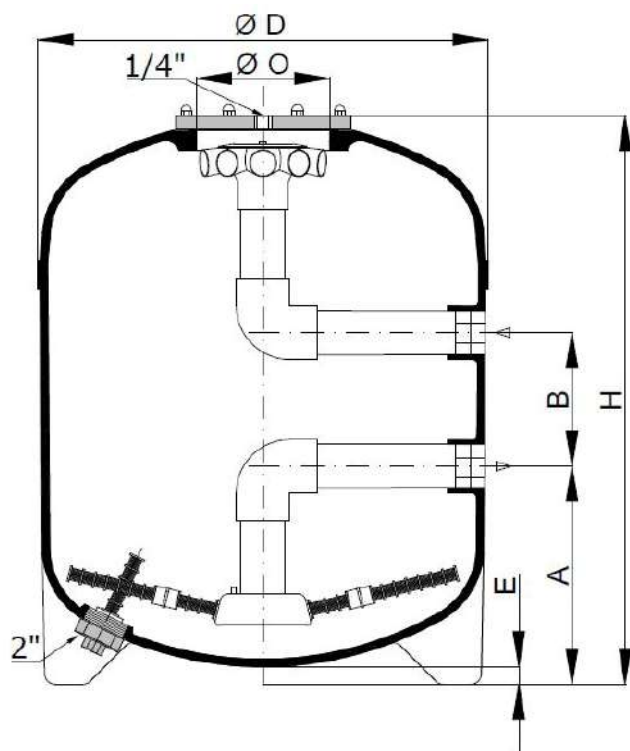
Dimensions in mm.

Manufactured and calculated according to EN 13121-3.
 Design pressure 2,5 Kg/cm² | Test pressure 3,75 Kg/cm².
 Transparent top lid.
 Special diffuser for Sand / AFM®.
 Female threads (GAS) in GRP are part of the body.
 Large diameter internal piping designed for both Sand / AFM® requirements.
 Laterals designed for proper filtration and backwash.
 Design temperature 40°C.

FA-35 IMPROVED



Changes:
 Bottom lid removed
 305 mm top access





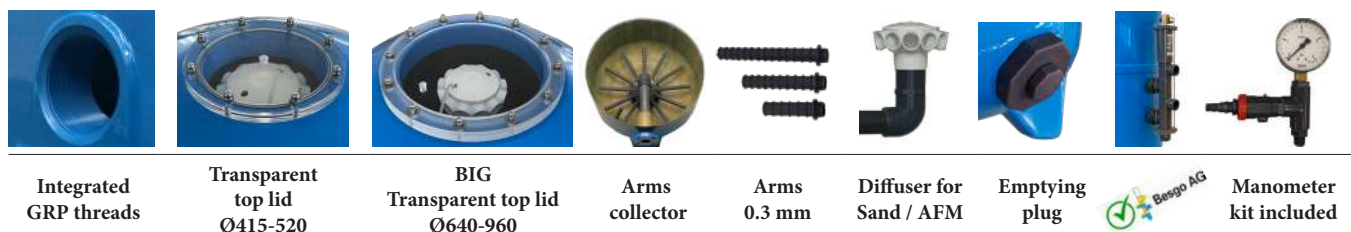
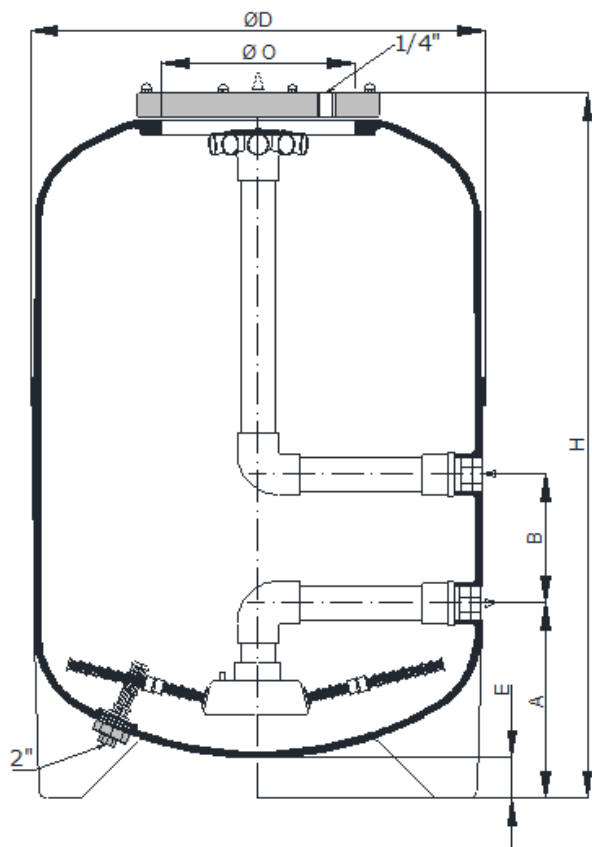
HFS SERIES Ø 415-960

Ref	ID	Ø D	H	O	A	B	E	I/O	Filt. Surface	Price
112041	HFS-6	415	861	190	260	190	25	2"	0,13 m ²	880 €
112046	HFS-8	460	861	190	260	190	25	2"	0,16 m ²	965 €
112052	HFS-10	520	931	190	310	190	25	2"	0,20 m ²	1 170 €
112064	HFS-15	640	1090	305	310	190	70	2"	0,30 m ²	1 625 €
112072	HFS-20	720	1140	305	360	190	105	2"	0,40 m ²	1 870 €
112084	HFS-30	840	1190	355	360	190	110	2"	0,52 m ²	2 160 €
112096	HFS-35	960	1240	355	360	250	120	2 ½"	0,70 m ²	2 815 €

HFS SERIES 500 - 600 BED HEIGHT

Dimensions in mm.

Manufactured and calculated according to EN 13121-3.
 Design pressure 2,5 Kg/cm² | Test pressure 3,75 Kg/cm².
 Big transparent top lid.*
 Internal steel reinforced filter.
 Special diffuser for Sand / AFM®.
 Female threads (GAS) in GRP are part of the body.
 Large diameter internal piping designed for both Sand / AFM® requirements.
 Laterals designed for proper filtration and backwash.
 Design temperature 40°C.





AFM SERIES Ø 520-960

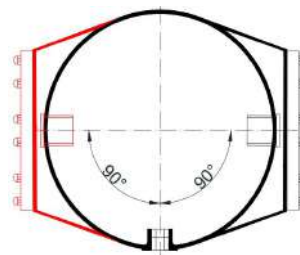
Ref	ID	Ø D	H	O	M	A	B	E	I/O	Filt. Surface	Price
112152.X	AFM-520	520	1400	190	215	405	190	5	2"	0,20 m ²	1 965 €
112164.X	AFM-640	640	1440	190	305	420	190	5	2"	0,30 m ²	2 310 €
112172.X	AFM-720	720	1440	190	305	420	190	5	2"	0,40 m ²	2 650 €
112184.X	AFM-840	840	1460	190	305	440	190	5	2"	0,52 m ²	2 945 €
112196.X	AFM-960	960	1520	205	355	405	250	5	2 ½"	0,70 m ²	3 770 €

AFM® SERIES 900 - 1000 BED HEIGHT

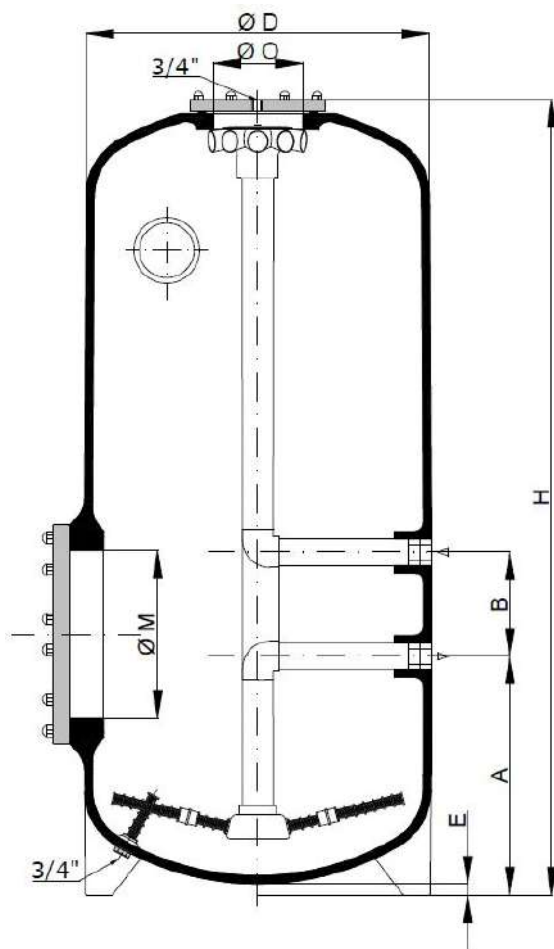
Manufactured and calculated according to EN 13121-3.
 Design pressure 2,5 Kg/cm² | Test pressure 3,75 Kg/cm².
 Lateral access manhole.
 Internal steel reinforced filter.
 Special diffuser for Sand / AFM®.
 Female threads (GAS) in GRP are part of the body.
 Large diameter internal piping designed for both Sand / AFM® requirements.
 Laterals designed for proper filtration and backwash.
 Sight glass.
 Design temperature 40°C.

ORIENTATION OPTIONS Dimensions in mm.

2 Orientation available: Pos 6 X=6 (Standard) / Pos 2 X=2



Pos 2 (On order) Pos 6 (Standard)





AFM/P SERIES Ø 520-960

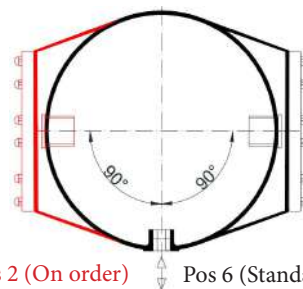
Ref	ID	Ø D	H	O	M	A	B	E	I/O	Filt. Surface	Price
112352.X	AFM/P-520	520	1400	190	215	405	190	5	2"	0,20 m ²	2 680 €
112364.X	AFM/P-640	640	1440	190	305	420	190	5	2"	0,30 m ²	3 360 €
112372.X	AFM/P-720	720	1440	190	305	420	190	5	2"	0,40 m ²	3 830 €
112384.X	AFM/P-840	840	1460	190	305	440	190	5	2"	0,52 m ²	4 550 €
112396.X	AFM/P-960	960	1520	205	355	405	250	5	2 ½"	0,70 m ²	5 525 €

AFM®/P SERIES 850 - 900 BED HEIGHT

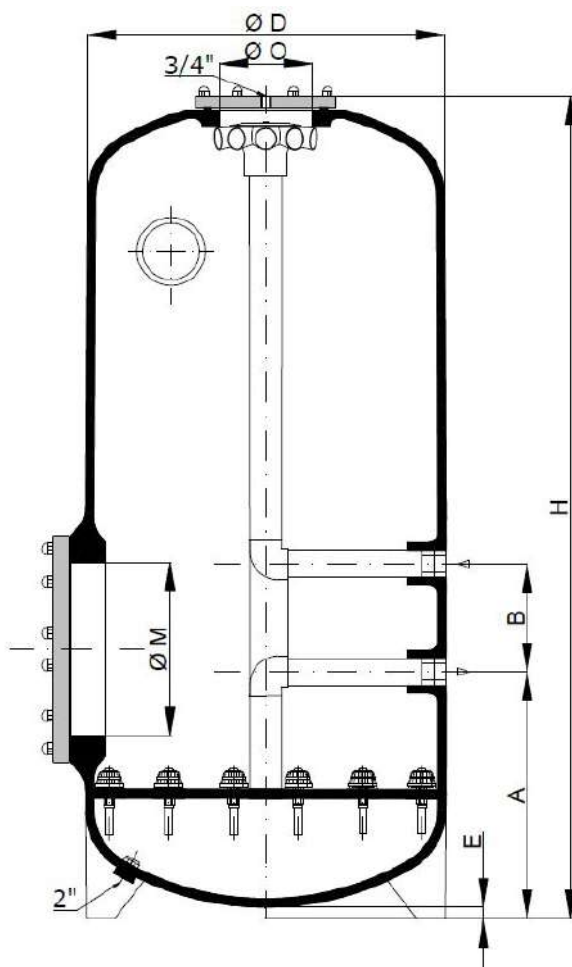
Manufactured and calculated according to EN 13121-3.
 Design pressure 2,5 Kg/cm² | Test pressure 3,75 Kg/cm².
 Lateral access manhole.
 Nozzle plate steel reinforced filter.
 Complete nozzle plate reliability.
 Internal steel reinforced filter.
 Special diffuser for Sand / AFM®.
 Female threads (GAS) in GRP are part of the body.
 Large diameter internal piping designed for both Sand / AFM® requirements.
 Sight glass.
 Design temperature 40°C.

ORIENTATION OPTIONS Dimensions in mm.

2 Orientation available: Pos 6 X=6 (Standard) / Pos 2 X=2



Pos 2 (On order) Pos 6 (Standard)



Integrated GRP threads

Transparent top lid

Steel ARMORED Nozzle plate

Nozzle detail

Diffuser for Sand / AFM

Sightglass

Side hatch

Emptying plug



Manometer kit included



DCH SERIES Ø 415-1260

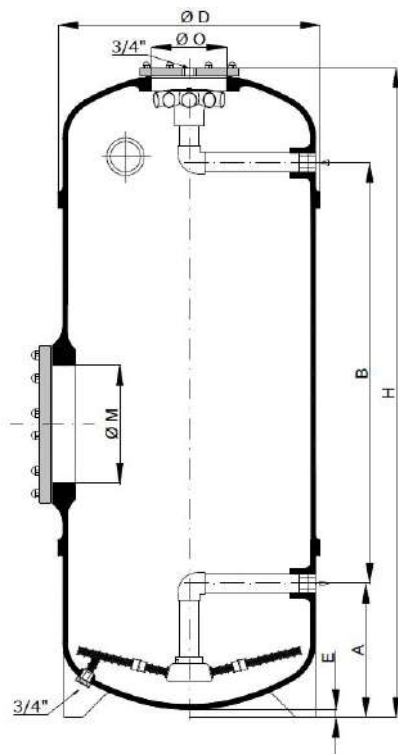
Ref	ID	Ø D	H	O	M	A	B	E	I/O	Filt. Surface	Price
212341	DCH-415	415	1801	190	305	260	1311	15	2"	0,13 m ²	2 345 €
212346	DCH-460	460	1812	190	305	260	1322	15	2"	0,16 m ²	2 495 €
212352	DCH-520	520	1832	190	305	300	1287	15	2"	0,20 m ²	2 820 €
212364	DCH-640	640	1886	190	355	338	1279	15	2"	0,30 m ²	3 320 €
212372	DCH-720	720	1985	190	355	405	1275	105	2"	0,40 m ²	3 590 €
212384	DCH-840	840	2070	190	355	430	1300	110	2 ½"	0,52 m ²	3 940 €
212396	DCH-960	960	2138	205	420	445	1373	120	2 ½"	0,70 m ²	4 910 €
212310	DCH-1010	1010	2050	305	420	425	960	10	DN80	0,78 m ²	6 745 €
212312	DCH-1260	1260	2120	305	420	505	990	10	DN100	1,21 m ²	8 795 €

DCH SERIES 1200 BED HEIGHT

Manufactured and calculated according to EN 13121-3.
 Design pressure 2,5 Kg/cm² | Test pressure 3,75 Kg/cm².
 Lateral access manhole.
 Laterals designed for proper filtration and backwash.
 Internal steel reinforced filter.
 Sight glass.
 Special diffuser for Sand / AFM®.
 Female threads (GAS) in GRP are part of the body.
 Large diameter internal piping designed for both Sand / AFM® requirements.
 Laterals designed for proper filtration and backwash.
 DCH 1010 & DCH 1260 Flanged connections.
 Design temperature 40°C.

ADDITIONAL OPTIONS Dimensions in mm.

Additional sight glass. [See page 20](#)
 High temperature.
 Available for higher pressure up to 7 kg/cm².
 Customizable height.
 Long vertical sight glass. [See page 20](#)
 Flanges available. [Add price of flanges in page 20](#)



Integrated GRP threads Ø415-960	Integrated GRP Flanges Ø1010-1260	Transparent top lid	Arms collector Ø415 -960	Arms collector Ø1010-1260	Sightglass	Diffuser for Sand / AFM Ø415-960	Diffuser for Sand / AFM Ø1010-1260	Plastized Manhole lid	Methacrylate Manhole lid	Emptying plug
------------------------------------	--------------------------------------	---------------------	-----------------------------	------------------------------	------------	-------------------------------------	---------------------------------------	-----------------------	--------------------------	---------------



DCH/P SERIES Ø 415-1260

Ref	ID	Ø D	H	O	M	A	B	E	I/O	Filt. Surface	Price
212441	DCH/P-415	415	1801	190	305	260	1311	15	2"	0,13 m ²	2 670 €
212446	DCH/P-460	460	1812	190	305	260	1322	15	2"	0,16 m ²	2 855 €
212452	DCH/P-520	520	1832	190	305	300	1287	15	2"	0,20 m ²	3 150 €
212464	DCH/P-640	640	1886	190	355	338	1279	15	2"	0,30 m ²	3 905 €
212472	DCH/P-720	720	1985	190	355	405	1275	105	2"	0,40 m ²	4 440 €
212484	DCH/P-840	840	2070	190	355	430	1300	110	2 ½"	0,52 m ²	5 040 €
212496	DCH/P-960	960	2138	205	420	445	1373	120	2 ½"	0,70 m ²	6 455 €
212410	DCH/P-1010	1010	2050	305	420	425	960	10	DN80	0,78 m ²	8 555 €
212412	DCH/P-1260	1260	2120	305	420	505	990	10	DN100	1,21 m ²	11 440 €

DCH/P SERIES 1200 BED HEIGHT

Manufactured and calculated according to EN 13121-3.
 Design pressure 2,5 Kg/cm² | Test pressure 3,75 Kg/cm².
 Lateral access manhole.
 Nozzle plate steel reinforced filter.
 Complete nozzle plate reliability.
 Internal steel reinforced filter.
 Special diffuser for Sand / AFM®.
 Female threads (GAS) in GRP are part of the body.
 Large diameter internal piping designed for both Sand / AFM® requirements.
 Sight glass.
 DCH/P 1010 & DCH/P 1260 Flanged connections.
 Design temperature 40°C.

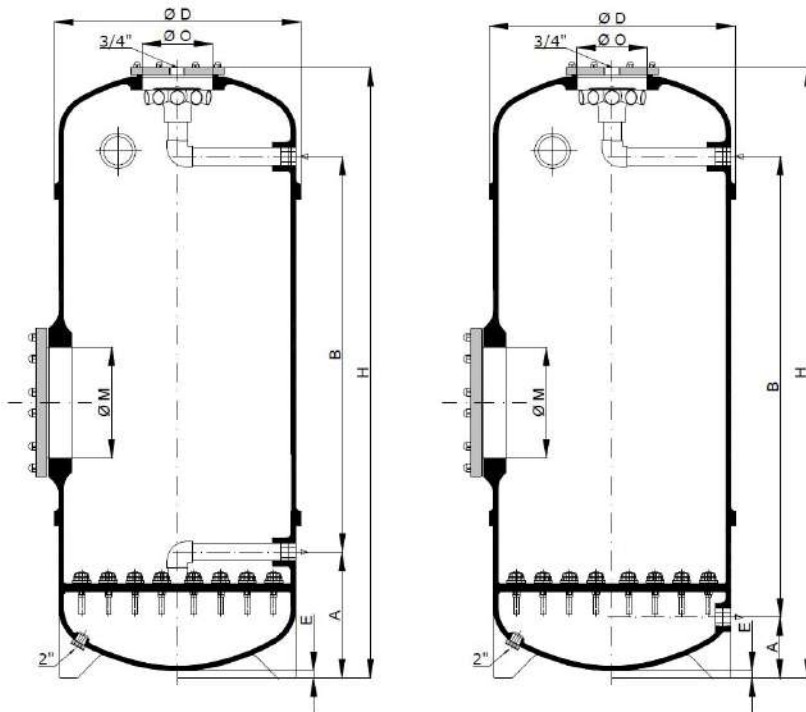
ADDITIONAL OPTIONS

Dimensions in mm.

Additional sight glass. [See page 20](#)
 High temperature.
 Available for higher pressure up to 7 kg/cm².
 Customizable height.
 Long vertical sight glass. [See page 20](#)
 A2 & B2 connections available. Ask for measures.
 Flanges available. [Add price of flanges in page 20](#)

TYPE 1

TYPE 2



Integrated GRP threads
Ø415-960

Integrated GRP Flanges
Ø1010-1260

Transparent top lid

Steel ARMORED Nozzle plate

Sightglass

Diffuser for Sand / AFM
Ø415-960

Diffuser for Sand / AFM
Ø1010-1260

Plastiziced Manhole lid

Methacrylate Manhole lid

Emptying plug



DS SERIES Ø 1010-3000

Ref	ID	Ø D	H	O	A	B	E	I/O	Filt. Surface	Price
222210	DS-1010	1010	2160	165	500	1260	100	DN80	0,78 m ²	6 180 €
222211	DS-1160	1160	2265	165	550	1265	100	DN100	1,01 m ²	7 150 €
222212	DS-1260	1260	2305	165	530	1375	100	DN100	1,21 m ²	7 695 €
222214	DS-1440	1440	2380	165	600	1335	100	DN100	1,55 m ²	9 280 €
222216	DS-1640	1640	2500	165	630	1370	100	DN125	2,04 m ²	11 905 €
222218	DS-1840	1840	2560	165	690	1300	100	DN125	2,52 m ²	14 675 €
222220	DS-2040	2040	2660	165	725	1340	100	DN150	3,17 m ²	17 320 €
222222	DS-2210	2210	2770	165	760	1385	100	DN200	3,77 m ²	19 510 €
222223	DS-2340	2340	2770	165	765	1370	100	DN200	4,06 m ²	21 365 €
222225	DS-2550	2550	2850	165	760	1480	100	DN200	4,91 m ²	25 370 €
222228	DS-2800	2800	3030	190	850	1500	100	DN250	5,97 m ²	27 570 €
222230	DS-3000	3000	3070	190	Check		100	DN250	6,90 m ²	32 760 €

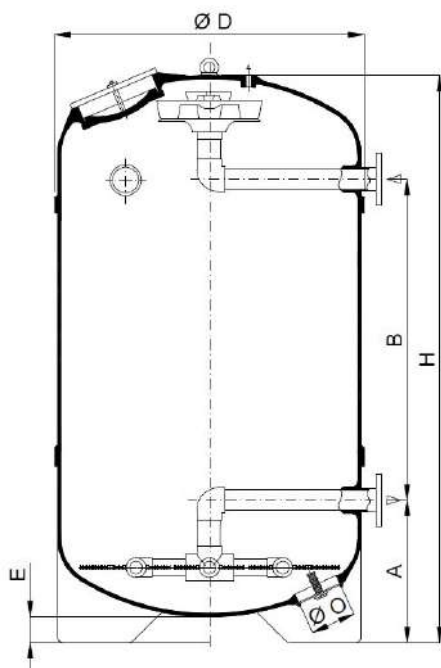
DS SERIES 1200 BED HEIGHT

Manufactured and calculated according to EN 13121-3.
 Design pressure 2,5 Kg/cm² | Test pressure 3,75 Kg/cm².
 Internal steel reinforced filter.
 Laterals designed for proper filtration and backwash.
 GRP Flanged connections.
 GRP Calplas diffuser.
 Elliptical top manhole.
 Sight glass 4" to 6".
 Lifting lug.
 GRP reinforced internal piping.
 Bottom emptying hole.
 Design temperature 40°C.

ADDITIONAL OPTIONS

Dimensions in mm.

Additional sight glass. [See page 20](#)
 High temperature.
 Available for higher pressure up to 6 kg/cm².
 Customizable height.
 Other flange sizes available. [See page 20](#)
 Different connections.
 Ad-hoc holes and sight glasses orientation.



Integrated GRP Flanges



GRP Elliptical manhole lid



Arms collector



Diffuser for Sand / AFM



Arms 0.3 mm



Sightglass



Emptying access



DPS SERIES Ø 1010-3000

Ref	ID	Ø D	H	O	M	A	B	E	I/O	Filt. Surface	Price
222410	DPS-1010	1010	2160	165	160	560	1200	100	DN80	0,78 m ²	9 305 €
222411	DPS-1160	1160	2265	165	160	610	1205	100	DN100	1,01 m ²	10 865 €
222412	DPS-1260	1260	2305	165	160	620	1285	100	DN100	1,21 m ²	11 970 €
222414	DPS-1440	1440	2380	165	200	670	1265	100	DN100	1,55 m ²	14 090 €
222416	DPS-1640	1640	2500	165	200	760	1240	100	DN125	2,04 m ²	17 850 €
222418	DPS-1840	1840	2560	165	200	790	1200	100	DN125	2,52 m ²	21 190 €
222420	DPS-2040	2040	2660	165	200	820	1245	100	DN150	3,17 m ²	25 560 €
222422	DPS-2210	2210	2770	165	200	850	1295	100	DN200	3,77 m ²	28 990 €
222423	DPS-2340	2340	2770	165	200	900	1235	100	DN200	4,06 m ²	31 145 €
222425	DPS-2550	2550	2850	165	200	925	1315	100	DN200	4,91 m ²	36 685 €
222428	DPS-2800	2800	3030	190	200	970	1380	100	DN250	5,97 m ²	41 735 €
222430	DPS-3000	3000	3070	190	200	Check		100	DN250	6,90 m ²	47 430 €

DPS SERIES 1200 BED HEIGHT

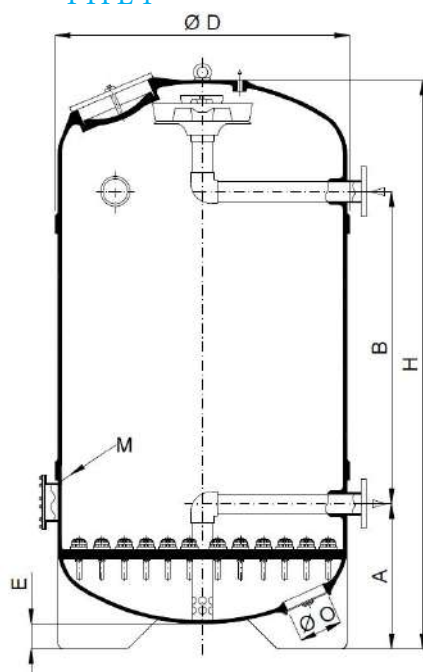
Manufactured and calculated according to EN 13121-3.
 Design pressure 2,5 Kg/cm² | Test pressure 3,75 Kg/cm².
 Steel reinforced nozzle plate.
 GRP Flanged connections.
 Access hand hole above the nozzle plate.
 GRP Calplas diffuser.
 Elliptical top manhole.
 Sight glass 4" to 6".
 Lifting lug.
 GRP reinforced internal piping.
 Bottom emptying hole.
 Design temperature 40°C.

ADDITIONAL OPTIONS

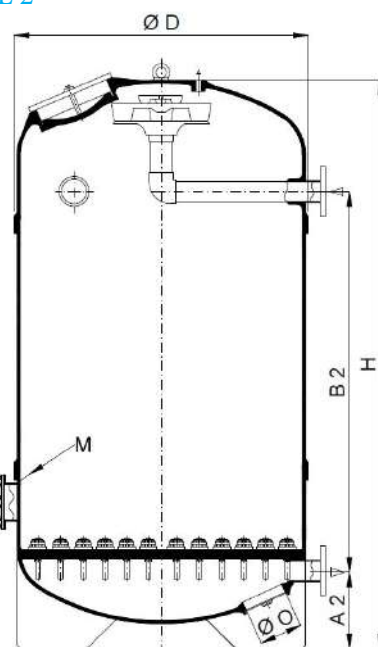
Dimensions in mm.

Additional sight glass. [See page 20](#)
 High temperature.
 Available for higher pressure up to 6 kg/cm².
 Customizable height.
 Other flange sizes available. [See page 20](#)
 Different connections.
 Ad-hoc holes and sight glasses orientation.
 A2 & B2 connections available. Ask for measures.

TYPE 1



TYPE 2



Integrated GRP Flanges



GRP Elliptical manhole lid



Access to plate



Steel ARMORED Nozzle plate



Diffuser for Sand / AFM



Nozzle detail



Sightglass



Emptying access



DCS SERIES Ø 1010-3000

Ref	ID	Ø D	H	O	M	A	B	E	I/O	Filt. Surface	Price
222810	DCS-1010	1010	2160	165	420	500	1260	100	DN80	0,78 m ²	7 795 €
222811	DCS-1160	1160	2265	165	420	550	1265	100	DN100	1,01 m ²	8 830 €
222812	DCS-1260	1260	2305	165	420	530	1375	100	DN100	1,21 m ²	9 415 €
222814	DCS-1440	1440	2380	165	420	600	1335	100	DN100	1,55 m ²	11 140 €
222816	DCS-1640	1640	2500	165	420	630	1370	100	DN125	2,04 m ²	13 750 €
222818	DCS-1840	1840	2560	165	420	690	1300	100	DN125	2,52 m ²	16 505 €
222820	DCS-2040	2040	2660	165	420	725	1340	100	DN150	3,17 m ²	19 325 €
222822	DCS-2210	2210	2840	165	420	760	1455	100	DN200	3,77 m ²	21 725 €
222823	DCS-2340	2340	2850	165	420	765	1450	100	DN200	4,06 m ²	23 645 €
222825	DCS-2550	2550	2920	165	420	760	1550	100	DN200	4,91 m ²	27 260 €
222828	DCS-2800	2800	3040	190	420	850	1500	100	DN250	5,97 m ²	29 410 €
222830	DCS-3000	3000	3070	190	420	<i>Check</i>		100	DN250	6,90 m ²	34 555 €

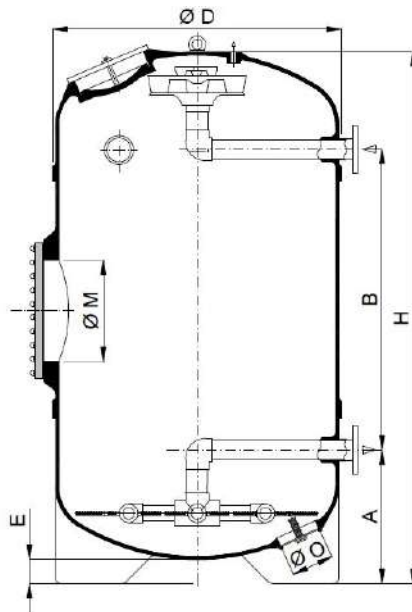
DCS SERIES 1200 BED HEIGHT

Manufactured and calculated according to EN 13121-3.
 Design pressure 2,5 Kg/cm² | Test pressure 3,75 Kg/cm².
 Steel reinforced lateral Ø420 manhole.
 Laterals designed for proper filtration and backwash.
 GRP Flanged connections.
 GRP Calplas diffuser.
 Elliptical top manhole.
 Lifting lug.
 Sight glass 4" to 6".
 GRP reinforced internal piping.
 Bottom emptying hole.
 Design temperature 40°C.

ADDITIONAL OPTIONS

Dimensions in mm.

Additional sight glass. [See page 20](#)
 High temperature.
 Available for higher pressure up to 6 kg/cm².
 Customizable height.
 Other flange sizes available. [See page 20](#)
 Different connections.
 Ad-hoc holes and sight glasses orientation.
 Optional Ø500 manhole.



Integrated GRP Flanges



GRP Elliptical manhole lid



Plastized Manhole lid



Methacrylate Manhole lid



Arms collector



Diffuser for Sand / AFM



Arms 0.3 mm



Sightglass



Emptying access



DPS/420 SERIES Ø 1010-3000

Ref	ID	Ø D	H	O	M	A	B	E	I/O	Filt. Surface	Price
222510	DPS/420-1010	1010	2160	165	420	560	1200	100	DN80	0,78 m ²	9 805 €
222511	DPS/420-1160	1160	2265	165	420	610	1205	100	DN100	1,01 m ²	11 430 €
222512	DPS/420-1260	1260	2305	165	420	620	1285	100	DN100	1,21 m ²	12 570 €
222514	DPS/420-1440	1440	2380	165	420	670	1265	100	DN100	1,55 m ²	14 835 €
222516	DPS/420-1640	1640	2500	165	420	760	1240	100	DN125	2,04 m ²	18 575 €
222518	DPS/420-1840	1840	2560	165	420	790	1200	100	DN125	2,52 m ²	21 910 €
222520	DPS/420-2040	2040	2660	165	420	820	1245	100	DN150	3,17 m ²	26 460 €
222522	DPS/420-2210	2210	2840	165	420	850	1365	100	DN200	3,77 m ²	30 100 €
222523	DPS/420-2340	2340	2850	165	420	900	1315	100	DN200	4,06 m ²	32 320 €
222525	DPS/420-2550	2550	2920	165	420	925	1385	100	DN200	4,91 m ²	37 480 €
222528	DPS/420-2800	2800	3040	190	420	970	1380	100	DN250	5,97 m ²	42 490 €
222530	DPS/420-3000	3000	3070	190	420	Check		100	DN250	6,90 m ²	48 370 €

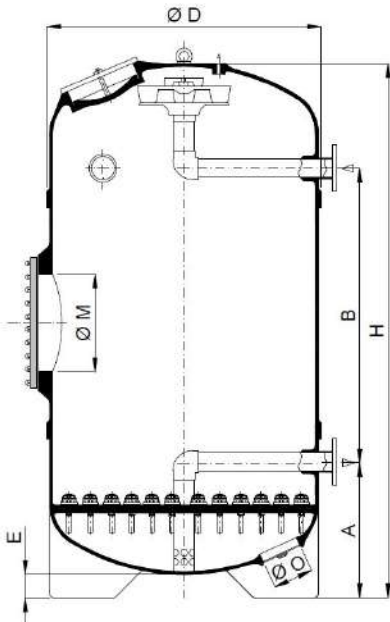
DPS/420 SERIES 1200 BED HEIGHT

Manufactured and calculated according to EN 13121-3.
 Design pressure 2,5 Kg/cm² | Test pressure 3,75 Kg/cm².
 Steel reinforced lateral Ø420 manhole.
 Steel reinforced nozzle plate.
 GRP Flanged connections.
 GRP Calplas diffuser.
 Elliptical top manhole.
 Lifting lug.
 Sight glass 4" to 6".
 GRP reinforced internal piping.
 Bottom emptying hole.
 Design temperature 40°C.

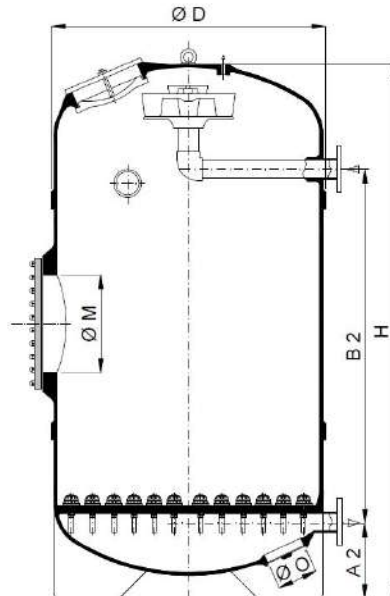
ADDITIONAL OPTIONS Dimensions in mm.

Additional sight glass. [See page 20](#)
 High temperature.
 Available for higher pressure up to 6 kg/cm².
 Customizable height.
 Other flange sizes available. [See page 20](#)
 Different connections.
 Ad-hoc holes and sight glasses orientation.
 Optional Ø500 manhole.
 A2 & B2 connections available. Ask for measures.

TYPE 1



TYPE 2



Integrated GRP Flanges



GRP Elliptical manhole lid



Plastized Manhole lid



Methacrylate Manhole lid



Steel ARMORED Nozzle plate



Diffuser for Sand / AFM



Nozzle detail



Sightglass



Emptying access



DPSL/420 SERIES Ø 1010-3000

Ref	ID	Ø D	H	O	M	A	B	E	I/O	Filt. Surface	Price
222710	DPSL/420-1010	1010	2460	165	420	560	1500	100	DN80	0,78 m ²	10 195 €
222711	DPSL/420-1160	1160	2565	165	420	610	1505	100	DN100	1,01 m ²	11 885 €
222712	DPSL/420-1260	1260	2605	165	420	620	1585	100	DN100	1,21 m ²	13 075 €
222714	DPSL/420-1440	1440	2680	165	420	670	1565	100	DN100	1,55 m ²	15 425 €
222716	DPSL/420-1640	1640	2800	165	420	760	1540	100	DN125	2,04 m ²	19 320 €
222718	DPSL/420-1840	1840	2860	165	420	790	1500	100	DN125	2,52 m ²	22 785 €
222720	DPSL/420-2040	2040	2960	165	420	820	1545	100	DN150	3,17 m ²	27 520 €
222722	DPSL/420-2210	2210	3140	165	420	850	1665	100	DN200	3,77 m ²	31 305 €
222723	DPSL/420-2340	2340	3150	165	420	900	1615	100	DN200	4,06 m ²	33 615 €
222725	DPSL/420-2550	2550	3220	165	420	925	1685	100	DN200	4,91 m ²	38 980 €
222728	DPSL/420-2800	2800	3340	190	420	970	1680	100	DN250	5,97 m ²	44 190 €
222730	DPSL/420-3000	3000	3300	190	420	Check		100	DN250	6,90 m ²	50 305 €

DPSL/420 SERIES 1500 BED HEIGHT

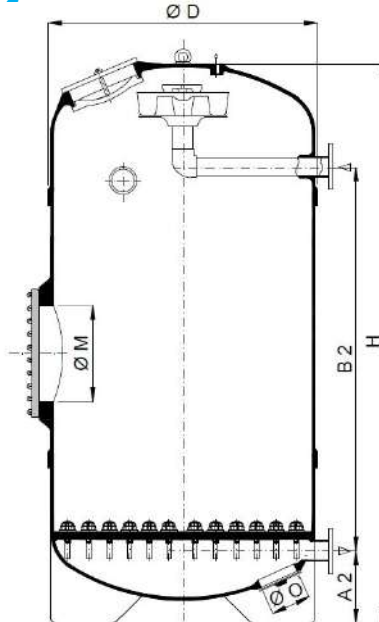
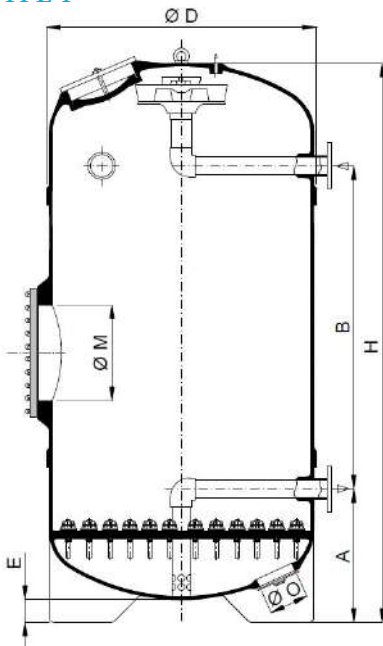
Manufactured and calculated according to EN 13121-3.
 Design pressure 2,5 Kg/cm² | Test pressure 3,75 Kg/cm².
 Steel reinforced lateral Ø420 lateral manhole.
 Steel reinforced nozzle plate.
 GRP Flanged connections.
 GRP Calplas diffuser.
 Elliptical top manhole.
 Lifting lug.
 Sight glass 4" to 6".
 GRP reinforced internal piping.
 Bottom emptying hole.
 Design temperature 40°C.

ADDITIONAL OPTIONS Dimensions in mm.

Additional sight glass. [See page 20](#)
 High temperature.
 Available for higher pressure up to 6 kg/cm².
 Customizable height.
 Other flange sizes available. [See page 20](#)
 Different connections.
 Ad-hoc holes and Sight glasses orientation.
 Optional Ø500 manhole.
 A2 & B2 connections available. Ask for measures.

TYPE 1

TYPE 2



Integrated GRP Flanges

GRP Elliptical manhole lid

Plastized Manhole lid

Methacrylate Manhole lid

Steel ARMORED Nozzle plate

Diffuser for Sand / AFM

Nozzle detail

Sightglass

Emptying access



FB SERIES Ø 1010-3000

Ref	ID	Ø D	H	O	A	B	E	I/O	Filt. Surface	Price
232010	FB-40	1010	1200	165	500	300 *	100	DN80	0,78 m ²	4 585 €
232011	FB-50	1160	1300	165	550	300 *	100	DN80	1,01 m ²	5 065 €
232012	FB-60	1260	1350	165	550	400 *	100	DN100	1,21 m ²	5 755 €
232014	FB-80	1440	1470	165	625	400 *	100	DN100	1,55 m ²	6 670 €
232016	FB-100	1640	1670	165	720	450 *	100	DN125	2,04 m ²	8 760 €
232018	FB-125	1840	1760	165	740	450 *	100	DN125	2,52 m ²	10 760 €
232020	FB-150	2040	1870	165	725	450 *	100	DN150	3,17 m ²	13 105 €
232022	FB-175	2210	1990	165	760	605	100	DN200	3,77 m ²	14 700 €
232023	FB-200	2340	2000	165	765	600	100	DN200	4,06 m ²	16 330 €
232025	FB-250	2550	2070	165	760	700	100	DN200	4,91 m ²	18 815 €
232028	FB-300	2800	2200	190	850	650	100	DN250	5,97 m ²	21 400 €
232030	FB-350	3000	2090	190	Check		100	DN250	6,90 m ²	24 710 €

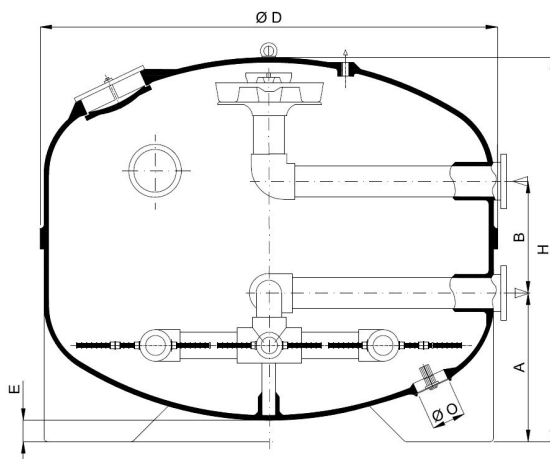
Dimensions in mm.

FB SERIES

Manufactured and calculated according to EN 13121-3.
 Design pressure 2,5 Kg/cm² | Test pressure 3,75 Kg/cm².
 Sight glass included.
 Laterals designed for proper filtration and backwash.
 Internal steel reinforced filter.
 GRP Flanged connections.
 GRP Calplas diffuser.
 Elliptical top manhole.
 Lifting lug.
 GRP reinforced internal piping.
 Bottom emptying hole.
 Design temperature 40°C.

ADDITIONAL OPTIONS

Additional sight glass. [See page 20](#)
 High temperature.
 Available for higher pressure up to 6 kg/cm².
 Other flange sizes available. [See page 20](#)
 Ad-hoc holes and sight glasses orientation.



Integrated GRP Flanges



GRP Elliptical manhole lid



Arms collector



Diffuser for Sand / AFM



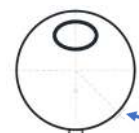
Arms 0.3 mm



Sightglass



Emptying access



Sightglass standard position 7!



Besgo ready! * Ø1010-2040



HORIZONTAL FILTERS

Ref	Ø D	Total Length	AFM Tn (G3/Rest)	I/O	E	Supports	Filtering Surface	Price	
322118	1840	3100	1,1	4,2	TBC	100	2	5,22 m ²	20 395 €
322218		3900	1,3	5,6	TBC	100	2	6,50 m ²	25 295 €
322318		4700	1,5	6,8	TBC	100	3	8,11 m ²	30 890 €
322418		5500	1,8	8,1	TBC	100	3	9,55 m ²	33 880 €
322518		6300	2,1	9,4	TBC	100	3	11,11 m ²	40 180 €
322120	2040	3360	1,1	7,3	TBC	100	2	6,50 m ²	25 135 €
322220		4160	1,5	8,2	TBC	100	2	8,00 m ²	30 045 €
322320		4960	1,7	10	TBC	100	3	9,50 m ²	35 890 €
322420		5660	2	11,3	TBC	100	3	11,00 m ²	40 845 €
322520		6460	2,3	13,3	TBC	100	3	12,70 m ²	45 655 €
322122	2210	3400	1,3	7,8	TBC	100	2	7,08 m ²	28 530 €
322222		4170	1,5	10	TBC	100	2	8,80 m ²	33 045 €
322322		5000	2	11,7	TBC	100	3	10,70 m ²	39 150 €
322422		5720	2,2	13,8	TBC	100	3	12,40 m ²	44 165 €
322522		6500	2,5	15,8	TBC	100	3	14,20 m ²	49 165 €
322123	2340	3520	1,5	8,5	TBC	100	2	7,40 m ²	31 240 €
322223		4300	1,8	11	TBC	100	2	9,30 m ²	35 245 €
322323		5100	2,1	13,2	TBC	100	3	11,20 m ²	41 465 €
322423		5800	2,5	15	TBC	100	3	13,00 m ²	46 415 €
322523		6600	2,8	17,3	TBC	100	3	15,00 m ²	51 485 €
322125	2550	3450	2,2	9,1	TBC	100	2	8,00 m ²	33 830 €
322225		4350	3	12	TBC	100	2	10,00 m ²	39 200 €
322325		5150	3,5	14,5	TBC	100	3	12,30 m ²	45 590 €
322425		6000	4,2	17	TBC	100	3	14,40 m ²	50 920 €
322525		6850	5	20	TBC	100	3	16,50 m ²	56 205 €
322128	2800	3680	2,5	12,5	TBC	100	2	9,30 m ²	37 045 €
322228		4500	3,5	15,5	TBC	100	2	11,60 m ²	46 535 €
322328		5360	4	18,5	TBC	100	3	14,00 m ²	53 040 €
322428		6230	4,5	22,5	TBC	100	3	16,40 m ²	59 130 €
322528		7040	5,2	26	TBC	100	3	18,50 m ²	65 640 €

3000

Values to be checked at order time

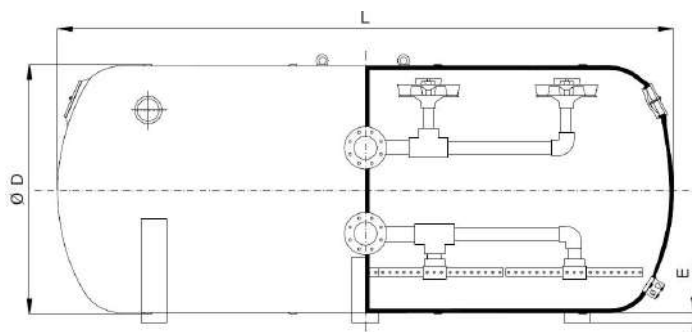
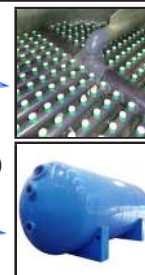
HORIZONTAL SERIES

Manufactured and calculated according to EN 13121-3.
 Design pressure 2,5 Kg/cm² | Test pressure 3,75 Kg/cm².
 Internal steel reinforced filter.
 Flanged connections for INLET/OUTLET.
 All connections are part of the structure of the filter in GRP.
 Supports for the filter included (2 or 3 according to model).
 2 x elliptical top manhole.
 Sightglass included.
 Laterals distribution.
 Design temperature 40°C.

ADDITIONAL OPTIONS

Customizable length if necessary.
 Air backwash distribution system . (Ask us)
 Higher temperatures.
 Additional sight glass. See page 20
 Additional flanges. See page 20
 Additional manhole in cylindrical part (Ask us)
 Flanged connections in the dome (Ask us)

Dimensions in mm.



Integrated GRP Flanges

Optional Plastiziced Manhole lid

2 x GRP Elliptical manhole lid

Arms collector

Diffuser for Sand / AFM

Arms 0.3 mm

Sightglass

Emptying access

Separated supports



CO SERIES Ø 415-1840

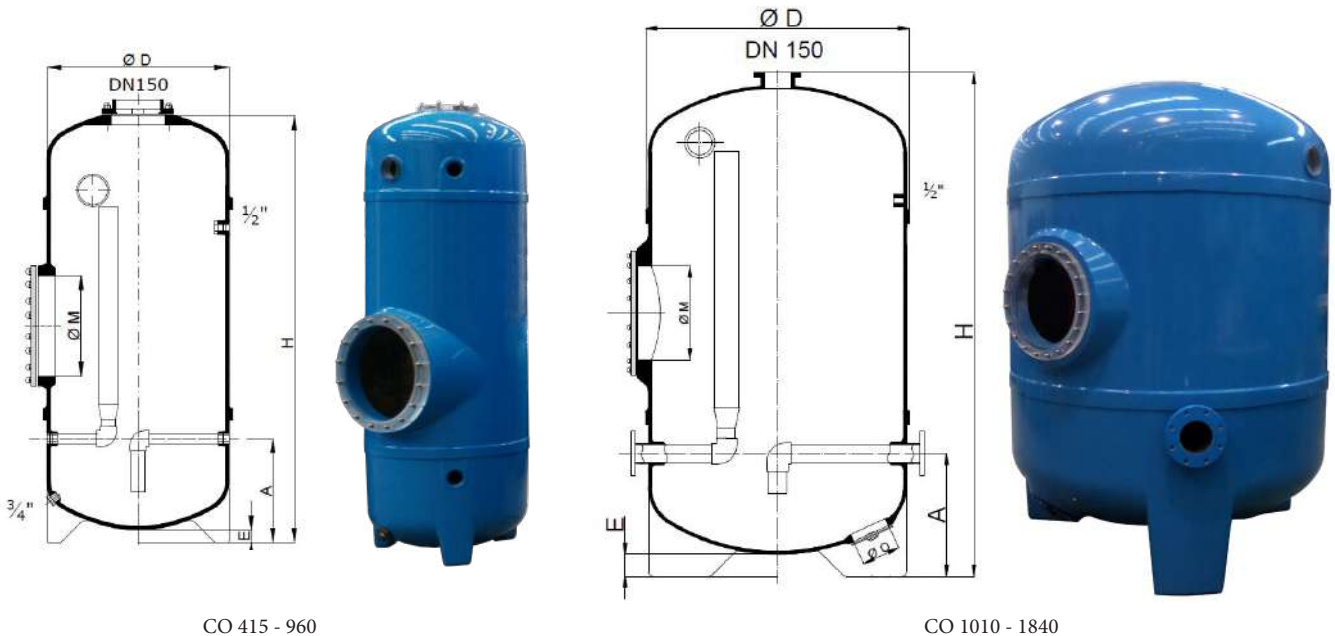
Ref	ID	Ø D	H	M	O	A	E	I/O	Volume	Price
212541	CO-415	415	1850	305	*	260	15	1½"	0.22 m ³	2 145 €
212546	CO-460	460	1850	305	*	260	15	1½"	0.28 m ³	2 325 €
212552	CO-520	520	1905	305	*	300	15	1½"	0.36 m ³	2 745 €
212564	CO-640	640	1970	355	*	340	15	1½"	0.57 m ³	3 245 €
212572	CO-720	720	2070	355	*	405	105	2"	0.72 m ³	3 760 €
212584	CO-840	840	2130	355	*	430	110	2"	0.98 m ³	4 510 €
212596	CO-960	960	2185	420	*	445	120	2 ½"	1.33 m ³	5 845 €
222610	CO-1010	1010	2100	420	165	500	100	DN125	1.4 m ³	7 150 €
222611	CO-1160	1160	2160	420	165	550	100	DN150	1.9 m ³	9 210 €
222612	CO-1260	1260	2200	420	165	530	100	DN200	2.2 m ³	10 825 €
222614	CO-1440	1440	2280	420	165	600	100	DN200	2.9 m ³	12 975 €
222616	CO-1640	1640	2360	420	165	630	100	DN200	4 m ³	15 195 €
222618	CO-1840	1840	2440	420	165	690	100	DN250	5 m ³	18 610 €

CO SERIES

Manufactured and calculated according to EN 13121-3.
 Design pressure 2,5 Kg/cm² | Test pressure 3,75 Kg/cm².
 Internal steel reinforced filter.
 Female threads (GAS) in GRP are part of the body.
 GRP Flanged connection according to model
 Sight glass.
 Bottom emptying hole.
Ozone concentration max. 1 ppm
 Design temperature 40°C.

ADDITIONAL OPTIONS Dimensions in mm.

Additional sight glass. [See page 20](#)
 High temperature.
 Available for higher pressure up to 6/7 kg/cm².
 Customizable height.
 Other flange sizes available. [See page 20](#)
 Different connections.
 Ad-hoc holes and Sight glasses orientation.
 Optional Ø500 manhole.



CO 415 - 960

CO 1010 - 1840



Integrated GRP threads Ø415-960	Integrated GRP Flanges Ø1010-1840	Top PVC connection Ø415 - 960	Top GRP connection Ø1010 - 1840	Sightglass	Plastiziced Manhole lid	Methacrylate Manhole lid	Emptying plug Ø415-960	Emptying access Ø1010-1840
---	---	---	---	-------------------	--------------------------------	---------------------------------	----------------------------------	--------------------------------------



CUSTOMIZED PUMP STRAINERS

Basket capacity: 4 l ~ Flow 30 m³/h				Basket capacity: 8 l ~ Flow 80 m³/h				Basket capacity: 15 l ~ Flow 120 m³/h			
Ref	ID	Connections	Price	Ref	ID	Connections	Price	Ref	ID	Connections	Price
410403	P4/32	DN25	1 575 €	410805	P8/50	DN40	2 315 €	411507	P15/75	DN65	2 690 €
410404	P4/40	DN32	1 585 €	410806	P8/63	DN50	2 325 €	411509	P15/90	DN80	2 715 €
410405	P4/50	DN40	1 590 €	410807	P8/75	DN65	2 335 €	411511	P15/110	DN100	2 735 €
410406	P4/63	DN50	1 600 €	410809	P8/90	DN80	2 355 €	411512	P15/125	DN110	2 755 €
410407	P4/75	DN65	1 620 €	410811	P8/110	DN100	2 375 €	411514	P15/140	DN125	2 785 €
410409	P4/90	DN80	1 635 €	410812	P8/125	DN110	2 395 €	411516	P15/160	DN150	2 825 €
				410814	P8/140	DN125	2 425 €	411520	P15/200	DN175	2 870 €
				410816	P8/160	DN150	2 470 €	411522	P15/225	DN200	2 905 €
P4 Basket SS 316: +35 €				P8 Basket SS 316: +55 €				P15 Basket SS 316: +75 €			

Basket capacity: 25 l ~ Flow 250 m³/h				Basket capacity: 60 l ~ Flow 350 m³/h				Basket capacity: 75 l ~ Flow 600 m³/h			
Ref	ID	Connections	Price	Ref	ID	Connections	Price	Ref	ID	Connections	Price
412509	P25/90	DN80	2 980 €	416012	P60/125	DN110	4 005 €	417525	P75/250	DN250	4 575 €
412511	P25/110	DN100	3 005 €	416014	P60/140	DN125	4 040 €	417530	P75/300	DN300	4 645 €
412512	P25/125	DN110	3 025 €	416016	P60/160	DN150	4 080 €	417535	P75/350	DN350	4 720 €
412514	P25/140	DN125	3 055 €	416020	P60/200	DN175	4 125 €	417540	P75/400	DN400	4 895 €
412516	P25/160	DN150	3 095 €	416022	P60/225	DN200	4 160 €	417545	P75/450	DN450	5 010 €
412520	P25/200	DN175	3 140 €	416025	P60/250	DN250	4 215 €	417550	P75/500	DN500	5 300 €
412522	P25/225	DN200	3 175 €	416030	P60/300	DN300	4 290 €				
412525	P25/250	DN250	3 235 €	416035	P60/350	DN350	4 365 €				
P25 Basket SS 316: +85 €				P60 Basket SS 316: +160 €				P75 Basket SS 316: +175 €			

PUMP STRAINERS

Flanged connections for INLET/OUTLET
 All connections are part of the structure of the filter in GRP.
 1 bar Max. pressure.
 Quick opening device.
 304 Stainless steel Ø4 mm hole.
 Extremely robust.
 Designed for suction side.
 Basket hole Ø4 mm.
 Flange position customizable in angle.
 Design temperature 40°C.

ADDITIONAL OPTIONS

Different Inlet/Outlet flange sizes in same strainer.
 Stainless steel 316 available at order. *See yellow boxes*
 Optional basket hole size Ø2mm.

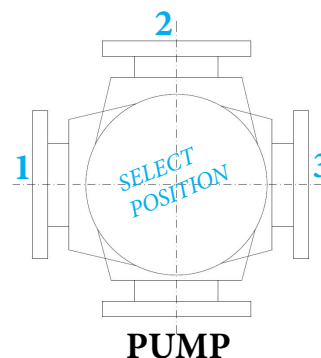
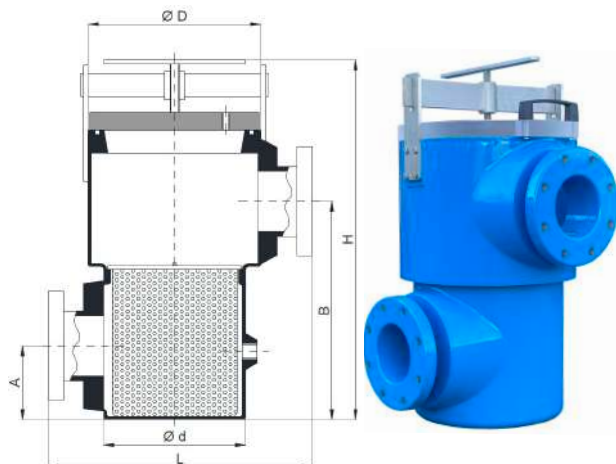
USE IT AS A COLLECTOR!

Multiple flanges for inlet or outlet .
 Just add price of flange. *See page 20*

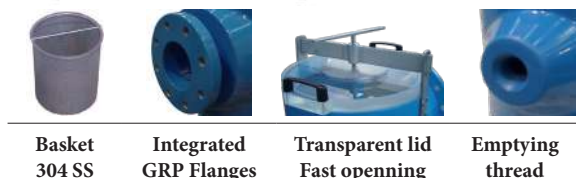


P25 5 Kg/cm²

+20% price increase according to model



MODEL	D	d	H	L	A	B
P4	250	200	500	370	100	290
P8	305	250	635	450	130	370
P15	355	300	760	500	150	455
P25	415	315	785	560	165	495
P60	530	480	1030	700	260	695
P75	530	480	1260	700	300	850





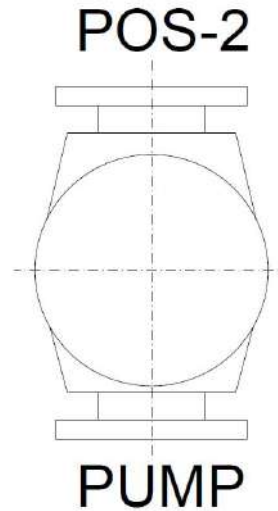
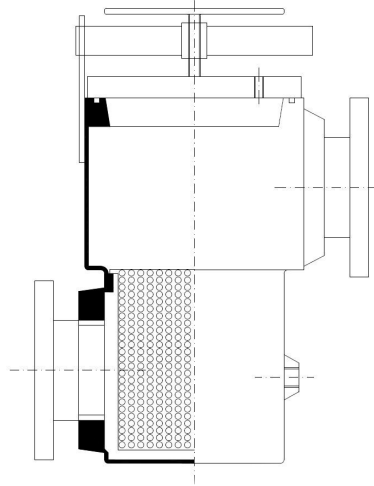
STANDARD PUMP STRAINERS

STANDARD PUMP STRAINERS POSITION 2

Ref	ID	Connections	Basket	Max press.	Price
410811.S	P8/110	DN100	8 litres	1 bar	1 900 €
411511.S	P15/110	DN100	15 litres	1 bar	2 195 €
412516.S	P25/160	DN150	25 litres	1 bar	2 475 €
412522.S	P25/225	DN200	25 litres	1 bar	2 545 €
416030.S	P60/300	DN300	60 litres	1 bar	3 435 €

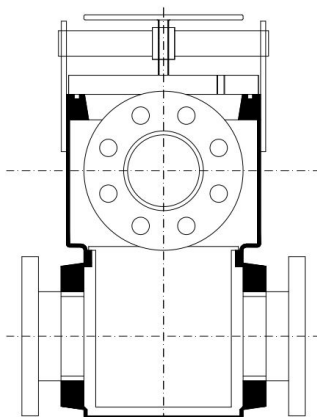
CHARACTERISTICS

1 bar Max. pressure.
 Quick opening device.
 304 Stainless steel Ø4 mm hole.
 Extremely robust.
 Designed for suction side.



STANDARD PUMP STRAINERS COLLECTORS

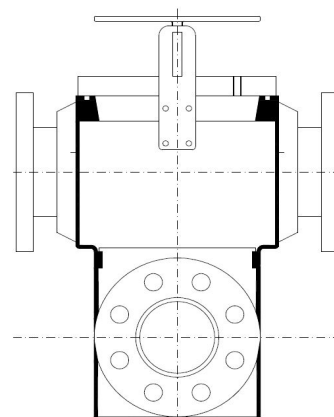
Ref	ID	Aspiration	Pump	Basket	Max press.	Price
412516.22	P25/2x160-225	2xDN150	DN200	25 litres	1 bar	2 870 €
412522.16	P25/225-2x160	DN200	2xDN150	25 litres	1 bar	2 870 €
416022.30	P60/2x225-300	2 x DN200	DN300	60 litres	1 bar	3 825 €
416030.22	P60/300-2x225	DN300	2xDN200	60 litres	1 bar	3 825 €



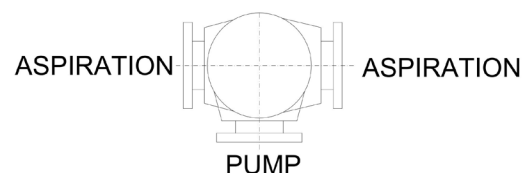
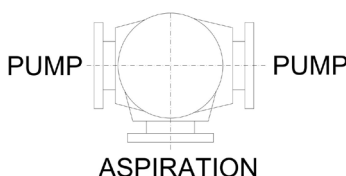
1 INLET - 2 OUTLET



Example: 1 aspiration / 2 pump



2 INLET - 1 OUTLET





ADDITIONAL ELEMENTS

SIGHT GLASS



ID	Price
Circular sight glass 2 1/2" - From Ø415 to Ø520	255 €
Circular sight glass 3" - From Ø640 to Ø840	320 €
Circular sight glass 4" - From Ø960 to Ø1440	375 €
Circular sight glass 5" - From Ø1640 to Ø1840	455 €
Circular sight glass 6" - From Ø2040 to Ø3000	540 €

LONG SIGHT GLASS

(Check availability!)



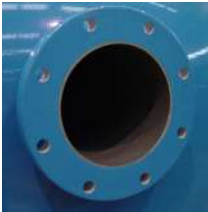
ID	Price
Standard vertical sight glass 200 mm	720 €
Long vertical sight glass 300 mm	825 €

THREADED I/O



ID	Price
Threaded I/O - from 1/2" up to 1"	65 €
Threaded I/O - from 1 1/4" to 2"	90 €
Threaded I/O - from 2 1/2" to 4"	115 €

FLANGES



ID	Price
Polyester flange - from DN15 up to DN 25	135 €
Polyester flange - from DN32 up to DN 65	250 €
Polyester flange - from DN 80 up to DN 100	315 €
Polyester flange - from DN 125	355 €
Polyester flange - from DN 150	455 €
Polyester flange - from DN 200	560 €
Polyester flange - from DN 250	620 €
Polyester flange - from DN 300	665 €
Polyester flange - from DN 350	770 €
Polyester flange - from DN 400	880 €
Polyester flange - from DN 450	975 €
Polyester flange - from DN 500	1 085 €



Ozone max 1 ppm
50 € + 8%

HANDHOLE



Hand hole
Ø160/Ø200 mm
625 €

UPGRADE MANHOLE Ø420 to Ø500



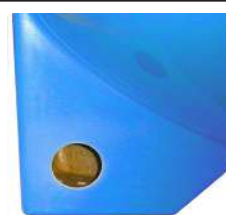
Only for Ø1010 -Ø3000
Only Metallic lid
800 €

PIPE SUPPORT



Per unit
215 €

STANDARD FIXING HOLES



Holes for 3 legs + Access
220 €

NAME PLATE SUPPORT



GRP plate
195 €

OTHER PRODUCTS

MULTIPOINT VALVES



Ref	ID	Price
60041	KIT Multiport DN40 / d50 mm / 1½" (Plug in READY)	165 €
60051	KIT Multiport DN50 / d63 mm / 2" (Plug in READY)	255 €

MANOMETER KIT



Ref	ID	Price
61000	MK	49 €

REPAIR KIT



Ref	ID	Price
62100	PRK	110 €

(Sand paper, polish & brightener + spray + paper tape + microfiber)

MEDIA TRAPS



S-20

S-40

S-120 / S-200 / S-280

Ref	ID	Max. Flow	Connections	Max pressure drop	Material	Price
112520	S-20 POOL	20 m ³ /h	Ø 63	0.1 bar	PVC	295 €
426001	S-40 POOL	40 m ³ /h	Ø 90	0.1 bar	PVC	1 080 €
426003	S-120 POOL	120 m ³ /h	DN 125	0.1 bar	GRP	1 800 €
426005	S-200 POOL	200 m ³ /h	DN 200	0.1 bar	GRP	2 355 €
426007	S-280 POOL	280 m ³ /h	DN 250	0.1 bar	GRP	2 685 €

FLOWMETERS



Ref	ID	Flow	Price
63602	FlowVis® d 25/32 mm	1.2 - 5.4 m ³ /h	129 €
63604	FlowVis® d 50 mm	2.4-21 m ³ /h	199 €
63605	FlowVis® d63 mm	2.4-24 m ³ /h	199 €
63606	FlowVis® d75 mm	7 - 45 m ³ /h	199 €
63608	FlowVis® d90 mm	16-54 m ³ /h	565 €
63610	FlowVis® d110 mm	27-102 m ³ /h	580 €
63615	FlowVis® d160 mm	68 - 227 m ³ /h	730 €
63617	FlowVis® d200 mm	113 - 420 m ³ /h	920 €
63697	FlowVis® Display extension cable 8 m		225 €
63698	FlowVis® Flapper with indicator and magnet d50mm-d75mm		30 €
63699	FlowVis® Digital Display for all installations: Digital Display in casing		870 €

THE UNIQUE BIORESISTANT ACTIVATED FILTER MEDIA



AFM is the only filter media which fully prevents the growth of bacteria and the formation of channels inside your filter. Thanks to this unique feature, AFM prevents the transmission of pathogens such as Legionella or Pseudomonas, provides much healthier air - without chlorine smells - and outlasts all other filter media

Organic matters are the precursor for the formation of Trihalomethanes (THMs), including chloroform. Thanks to its large hydrophobic area and highly mesoporous structure, AFM can filter much finer particles and up to 50% more organic substances than sand. High filtration performance means less disinfectants are used, resulting in healthier water and better air quality at lower costs.

Any non polar chemical will be more difficult to dissolve into water and it will tend to float like oil, or adsorbed on to a non polar hydrophobic surface



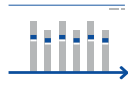
Exceptional water quality



No clusters
No channeling



No biofilm
No pathogens



Stable & reliable filtration



50%-80% less Trichloramines



Up to 50% less backwash water



Up to 50% less THMs



Less chemicals

BOOST THE PERFORMANCE OF YOUR CALPLAS FILTER WITH AFM FILTER MEDIA

Calplas filters are made to extend their life time to the limit. We care about reliability about filter performance. Backwash flows are as important as filtering flows. Use AFM in Calplas filter to optimize the performance of your filter.



Best hardware works better the best software, CALPLAS and AFM are better together.



Ref	ID	Package quantity	Price
6431	AFM® Grade 1 NG (0.4-0.8 mm)	(25 Kg/bag)	44 €
6432	AFM® Grade 2 NG (0.7-2.0 mm)	(25 Kg/bag)	44 €
6403	AFM® Grade 3 (2.0-4.0 mm)	(25 Kg/bag)	44 €
6441	AFM® Grade 1 NG (0.4-0.8 mm)	1 Tn/bag	1 680 €
6442	AFM® Grade 2 NG (0.7-2.0 mm)	1 Tn/bag	1 680 €
6413	AFM® Grade 3 (2.0-4.0 mm)	1 Tn/bag	1 680 €

BESGO VALVES

BESGO VALVES



5 WAY VALVES (OK for 0.5 % Salinity)

Ref	ID	Price
60040	Besgo DN40 / d50 mm / 1½" Distance 190 mm	750 €
60050	Besgo DN50 / d63 mm / 2" Distance 190 mm	830 €
60065	Besgo DN65 / d75 mm / 2½" Distance 250 mm	1 090 €
60080	Besgo DN80 / d90 mm / 3" Distance 300 mm	1 690 €
60100	Besgo DN100 / d110 mm / 4" Distance 400 mm	2 490 €
60125	Besgo DN125 / d140 mm / 5" Distance 450 mm	4 390 €

3 WAY VALVES (OK for 0.5 % Salinity)

Ref	ID	Price
60045	Besgo DN40 / d50 mm / 1½"	630 €
60055	Besgo DN50 / d63 mm / 2"	690 €
60068	Besgo DN65 / d75 mm / 2½"	920 €
60082	Besgo DN80 / d90 mm / 3"	1 390 €
60101	Besgo DN100 / d110 mm / 4"	2 090 €
60126	Besgo DN125 / d140 mm / 5"	3 790 €

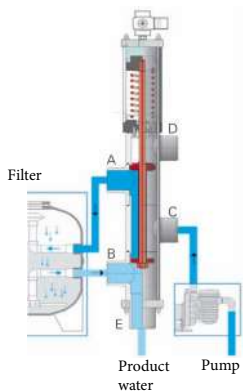
ADAPTOR SET FOR BESGO (1set=2 sockets)

Ref	ID	Price
60042	Besgo adaptor set 50x2"	22.10 €
60052	Besgo adaptor set 63x2"	24.10 €
60067	Besgo adaptor set 75x2½"	65.90 €

HOW DOES IT WORK?

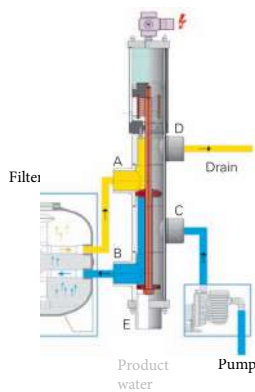
FILTRATION

Solenoid valve closed



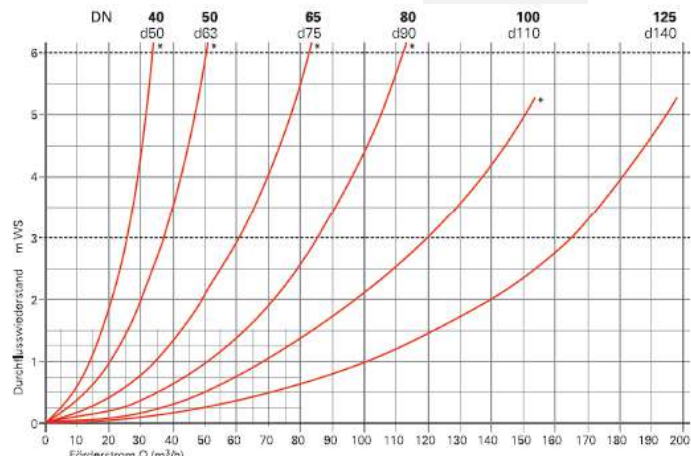
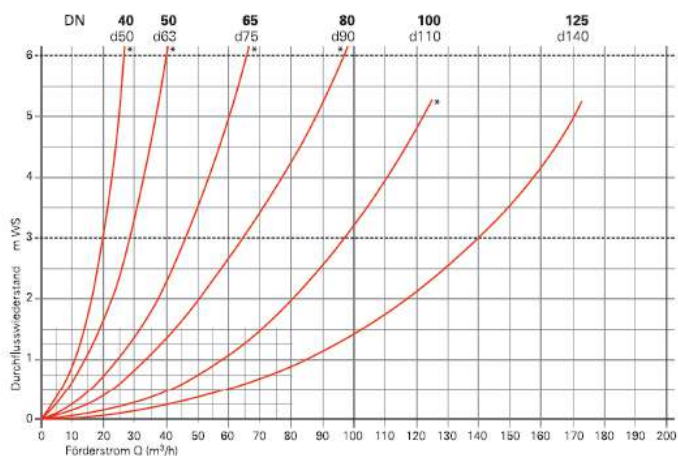
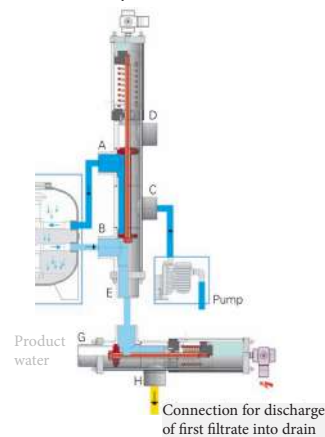
BACKWASH

Solenoid valve open



RINSING

Solenoid of 5 way valve closed / 3-way valve open



USEFUL INFORMATION

MODEL	Surface (m ²)	Standard Connec.	Available Media (mm)	AFM Bags 21 Kg			AFM Bags 25 Kg			Total filter volume (liters)	Empty weight (Kg)
				AFM G3 2-4 mm	AFM G2 0.7-1 mm	AFM G1 0.4-0.8 mm	AFM G3 2-4 mm	AFM G2 0.7-1 mm	AFM G1 0.4-0.8 mm		
FA 10	0,20	2"	350	-	2	3	-	2	2	85	17
FA 15	0,31	2"	350	-	3	3	-	2	3	120	38
FA 20	0,39	2"	400	-	5	5	-	4	5	161	46
FA 30	0,52	2"	400	3	4	7	3	3	6	230	55
FA 35	0,70	2 1/2"	450	5	5	10	4	5	8	356	69
HFS 06	0,13	2"	450	-	1	1	-	1	1	64	15
HFS 08	0,16	2"	450	-	1	2	-	1	2	81	16
HFS 10	0,20	2"	500	-	3	3	-	2	3	112	20
HFS 15	0,31	2"	600	-	6	6	-	5	5	186	42
HFS 20	0,39	2"	600	-	8	8	-	7	7	232	51
HFS 30	0,52	2"	650	5	5	10	4	5	8	337	60
HFS 35	0,70	2 1/2"	700	7	8	15	6	7	12	458	75
AFM - 520	0,20	2"	900	-	5	6	-	4	5	209	58
AFM - 640	0,31	2"	900	-	8	9	-	7	7	315	75
AFM - 720	0,39	2"	900	-	11	11	-	9	9	388	88
AFM - 840	0,52	2"	950	8	8	15	6	7	13	532	99
AFM - 960	0,70	2 1/2"	1000	11	11	22	9	9	19	734	125
AFM/P 520	0,20	2"	850	-	4	5	-	3	4	209	72
AFM/P 640	0,31	2"	850	-	7	8	-	6	7	315	81
AFM/P 720	0,39	2"	850	-	9	9	-	7	8	388	118
AFM/P 840	0,52	2"	850	-	12	13	-	10	11	532	137
AFM/P 960	0,70	2 1/2"	900	-	17	18	-	14	15	734	160
DCH 415	0,13	2"	1200	-	4	5	-	4	4	187	53
DCH 460	0,16	2"	1200	-	5	6	-	4	5	235	56
DCH 520	0,20	2"	1200	-	7	7	-	6	6	294	61
DCH 640	0,31	2"	1200	-	11	12	-	10	10	450	77
DCH 720	0,39	2"	1200	-	14	15	-	12	13	561	95
DCH 840	0,52	2 1/2"	1200	10	10	20	8	8	18	794	112
DCH 960	0,70	2 1/2"	1200	13	13	27	11	11	23	1 086	140
DCH 1010	0,78	DN80	1200	15	15	30	12	13	26	1 406	152
DCH 1260	1,21	DN100	1200	22	22	46	19	19	38	2 214	175
DCH/P 415	0,13	2"	1200	-	4	4	-	3	4	187	61
DCH/P 460	0,16	2"	1200	-	5	6	-	4	5	235	66
DCH/P 520	0,20	2"	1200	-	6	7	-	5	6	294	76
DCH/P 640	0,31	2"	1200	-	10	11	-	8	9	450	97
DCH/P 720	0,39	2"	1200	-	13	14	-	11	12	561	125
DCH/P 840	0,52	2 1/2"	1200	-	18	18	-	15	15	794	150
DCH/P 960	0,70	2 1/2"	1200	-	23	24	-	20	20	1 086	190
DCH/P 1010	0,78	DN80	1200	-	26	26	-	22	22	1 406	280
DCH/P 1260	1,21	DN100	1200	-	41	41	-	34	35	2 214	320
DCS / DS 1010	0,78	DN80	1200	15	15	30	12	12	26	1 460	168
DCS / DS 1160	1,01	DN100	1200	20	20	40	17	17	33	1 978	181
DCS / DS 1260	1,21	DN100	1200	20	25	45	18	18	40	2 390	210
DCS / DS 1440	1,55	DN100	1200	30	30	60	25	25	50	3 134	320
DCS / DS 1640	2,04	DN125	1200	40	40	80	30	35	70	4 288	390
DCS / DS 1840	2,52	DN125	1200	50	50	100	40	40	90	5 363	450
DCS / DS 2040	3,17	DN150	1200	60	60	140	50	50	120	6 950	535
DCS / DS 2200	3,77	DN200	1200	80	80	160	60	60	150	8 609	610
DCS / DS 2340	4,06	DN200	1200	80	80	180	60	60	170	9 149	760
DCS / DS 2550	4,91	DN200	1200	100	100	200	80	80	180	11 241	850
DCS / DS 2800	5,97	DN250	1200	120	140	260	110	110	220	14 473	1020
DCS / DS 3000	6,90	DN250	1200	140	160	300	120	120	260	17 291	1160
DPS 1010	0,78	DN80	1200	-	26	26	-	22	22	1 460	280
DPS 1160	1,01	DN100	1200	-	35	35	-	30	30	1 978	295
DPS 1260	1,21	DN100	1200	-	40	42	-	30	40	2 390	360
DPS 1440	1,55	DN100	1200	-	50	60	-	40	50	3 134	464
DPS 1640	2,04	DN125	1200	-	60	80	-	60	60	4 288	568
DPS 1840	2,52	DN125	1200	-	80	100	-	70	80	5 363	690
DPS 2040	3,17	DN150	1200	-	100	120	-	80	100	6 950	880
DPS 2210	3,77	DN200	1200	-	130	130	-	100	120	8 609	1100
DPS 2340	4,06	DN200	1200	-	140	140	-	120	120	9 149	1250
DPS 2550	4,91	DN200	1200	-	160	180	-	120	160	11 241	1380
DPS 2800	5,97	DN250	1200	-	200	200	-	160	180	14 473	1490
DPS 3000	6,90	DN250	1200	-	220	240	-	200	200	17 291	1610
DPS/420 1010	0,78	DN80	1200	-	26	26	-	22	22	1 460	310
DPS/420 1160	1,01	DN100	1200	-	35	35	-	30	30	1 978	350
DPS/420 1260	1,21	DN100	1200	-	40	42	-	30	40	2 390	400
DPS/420 1440	1,55	DN100	1200	-	50	60	-	40	50	3 134	580
DPS/420 1640	2,04	DN125	1200	-	60	80	-	60	60	4 288	610
DPS/420 1840	2,52	DN125	1200	-	80	100	-	70	80	5 363	745
DPS/420 2040	3,17	DN150	1200	-	100	120	-	80	100	6 950	925
DPS/420 2210	3,77	DN200	1200	-	130	130	-	100	120	8 673	1145
DPS/420 2340	4,06	DN200	1200	-	140	140	-	120	120	9 474	1300
DPS/420 2550	4,91	DN200	1200	-	160	180	-	120	160	11 585	1435
DPS/420 2800	5,97	DN250	1200	-	200	200	-	160	180	14 533	1510
DPS/420 3000	6,90	DN250	1200	-	220	240	-	200	200	17 291	1660
DPSSL/420 1010	0,78	DN80	1500	-	30	32	-	26	26	1 694	345
DPSSL/420 1160	1,01	DN100	1500	-	40	45	-	35	35	2 281	390
DPSSL/420 1260	1,21	DN100	1500	-	50	50	-	40	50	2 753	440
DPSSL/420 1440	1,55	DN100	1500	-	60	70	-	50	55	3 599	640
DPSSL/420 1640	2,04	DN125	1500	-	85	85	-	70	70	4 900	670
DPSSL/420 1840	2,52	DN125	1500	-	100	110	-	90	90	6 119	820
DPSSL/420 2040	3,17	DN150	1500	-	130	140	-	110	120	7 901	1020
DPSSL/420 2210	3,77	DN200	1500	-	160	160	-	130	140	10 004	1260
DPSSL/420 2340	4,06	DN200	1500	-	160	180	-	140	140	10 692	1430
DPSSL/420 2550	4,91	DN200	1500	-	200	210	-	160	180	13 058	1600
DPSSL/420 2800	5,97	DN250	1500	-	240	260	-	200	220	16 324	1700
DPSSL/420 3000	6,90	DN250	1500	-	280	300	-	240	240	18 878	1850
FB40	0,78	DN80	500	7	7	16	6	6	13	712	100
FB50	1,01	DN80	600	10	10	22	8	8	20	1 003	125
FB60	1,21	DN100	650	14	14	28	12	12	24	1 234	155
FB80	1,55	DN100	720	20	20	40	16	16	33	1 724	202
FB100	2,04	DN125	800	30	30	60	25	25	50	2 595	280
FB125	2,52	DN125	850	40	30	80	30	30	65	3 347	340
FB150	3,17	DN150	900	50	40	120	40	45	90	4 446	438
FB175	3,77	DN200	1000	60	60	150	50	60	120	5 669	525
FB200	4,06	DN200	1000	70	60	160	60	60	125	6 023	600
FB250	4,91	DN200	1000	90	90	180	80	80	150	7 411	790
FB300	5,97	DN250	1000	120	120	240	110	80	210	9 518	953
FB350	6,90	DN250	900	140	120	220	120	80	220	9 908	1100

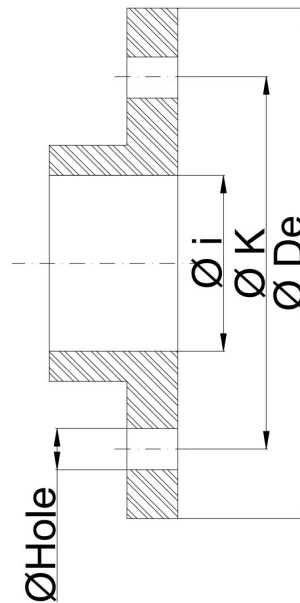
USEFUL INFORMATION

FLOW (m³/h) RELATED TO VELOCITY

Velocity	415	460	520	640	720	840	960	1010	1160	1260	1440	1640	1840	2040	2210	2340	2550	2800	3000
10 m/h	1,3	1,6	2	3,1	3,9	5,2	7	7,8	10,1	12,1	15,5	20,4	25,2	31,7	37,7	40,6	49,1	59,7	69
20 m/h	2,6	3,2	4	6,2	7,8	10,4	14	15,6	20,2	24,2	31	40,8	50,4	63,4	75,4	81,2	98,2	119,4	138
30 m/h	3,9	4,8	6	9,3	11,7	15,6	21	23,4	30,3	36,3	46,5	61,2	75,6	95,1	113,1	121,8	147,3	179,1	207
40 m/h	5,2	6,4	8	12,4	15,6	20,8	28	31,2	40,4	48,4	62	81,6	100,8	126,8	150,8	162,4	196,4	238,8	276
50 m/h	6,5	8	10	15,5	19,5	26	35	39	50,5	60,5	77,5	102	126	158,5	188,5	203	245,5	298,5	345

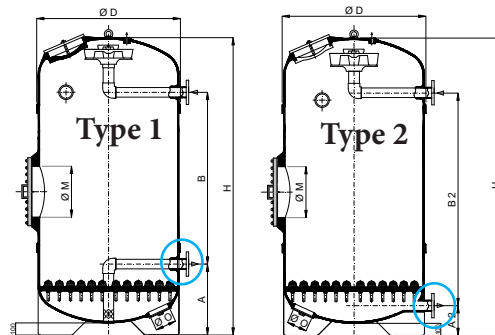
FLANGES INFORMATION DIN PN10

Connection	Inch	i	D _e	K	N° Holes	ØHole
DN15	1/2"	20	95	65	4	14
DN20	3/4"	25	105	75	4	14
DN25	1"	32	115	85	4	14
DN32	1 1/4"	40	140	100	4	18
DN40	1 1/2"	50	150	110	4	18
DN50	2"	63	165	125	4	18
DN65	2" 1/2	75	185	145	4	18
DN80	3"	90	200	160	8	18
DN100	4"	110	220	180	8	18
DN110	--	125	230	190	8	18
DN125	5"	*125/140	250	210	8	18
DN150	6"	160	285	240	8	22
DN175	--	200	315	270	8	22
DN200	8"	225	340	295	8	22
DN250	10"	*250/280	395	350	12	22
DN300	12	315	445	400	12	22
DN350	14	355	505	460	16	22
DN400	16	400	565	515	16	26
DN500	20	560	670	620	20	26



* With this sizes, please always inform about pipe dimension.
ANSI and JIS also available

NOZZLES PER PLATE



Ø D	415	460	520	640	720	840	960	1010	1160	1260	1440	1640	1840	2040	2210	2340	2550	2800	3000
Type 1	12	12	15	20	24	35	43	48	64	84	96	132	172	212	235	284	336	419	484
Type 2	12	12	16	21	25	36	44	53	69	89	101	137	177	217	240	289	341	428	489

PACKAGING

RESIDENTIAL FILTERS

Residential filters price include carton box packaging.



RESIDENTIAL FILTERS MAXIMUM QUANTITY PER PALET

Ref	FA	HFS	AFM	AFM/P
415	10	8	*	*
460	10	8	*	*
520	10	8	4	4
640	10	8	4	4
720	8	8	4	4
840	8	4	1	1
960	2	1	1	1

WOODEN CRATES FOR SOME FILTERS

Public filters with threaded connections DCH or DCH/P (Ø415 -Ø960) are sent in carton box which is included in the price.

Public filters with flanged connections require a wooden box crate if it is sharing transport with other loads. Please see prices below.



FB

Model	Net Price
FB-40 to FB-80	135 €
FB-100 to FB-175	215 €
FB-200	230 €
FB-250	260 €
FB-300	320 €
FB-350	355 €

COLUMNS WITH FLANGES

Model	Net Price
Ø415 to Ø640 mm	90 €
Ø720 to Ø960 mm	140 €
Ø1010 to Ø1260 mm	170 €
Ø1440 to Ø1640 mm	270 €
Ø1840 to Ø2210 mm	335 €
Ø2340 mm	390 €
Ø2550 mm	480 €
Ø2800 mm	530 €
Ø3000 mm	620 €

For some installations a direct shipment can be done with a full truck load, under this circumstances wooden box crates can be avoided under customers responsibility not to damage the filters on the unloading process.



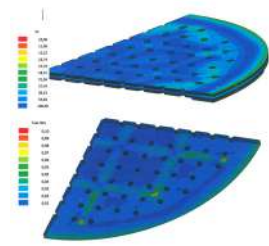
TECHNICAL DATA



Manually laminated hand lay-up polyester resin fiberglass to controlled thickness.



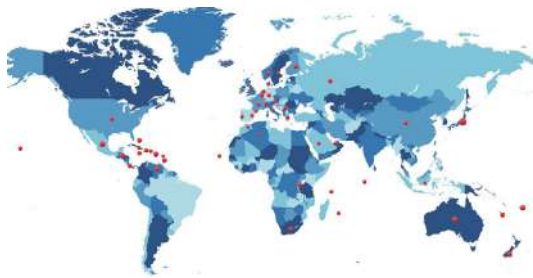
The strength of steel
The chemical corrosion resistance of polyester.



Engineering soul.



Expected lifespan: more than 30 years.



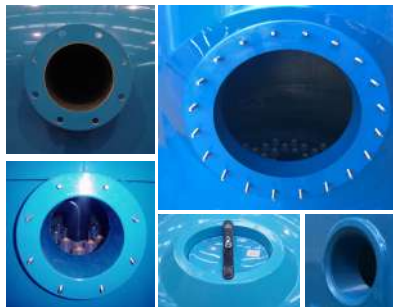
Sold worldwide with complete reliability since 1970.



Armoured nozzle plate.



Optimized distribution systems for flow distribution and each application



Complete safety:
Connections are part of the structure.



100% full vision inside:
Methacrylate sightglasses



Each and every filter is tested.



Closed legs are part of the filter structure.



On site assembling



Special colors on demand



UV resistant external gel coat.



Wind & Seismic Calculation



Replace/Upgrade your filter
PLUG & PLAY



calplas@calplas.com
www.calplas.com

Polígono Txirrita-Maleo
Pabellón nº 9
20100 Rentería (Guipuzcoa)-España
Tel.: +34 943 49 05 01